

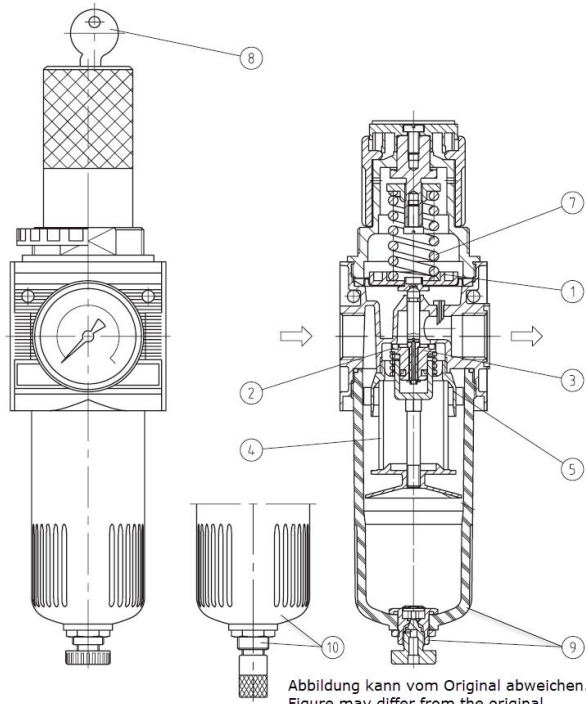
Spare parts list

Material number: 0821300300
 Drawing: NL_1_2_4_6
 Designation: NL2-FRE-G014-GAU-100-PNB-HO-05,00

AVENTICS GmbH
 Ulmer Str. 4
 30880 Laatzen
 spareparts.aventics@emerson.com

Date: 01.12.2022

Page: 1



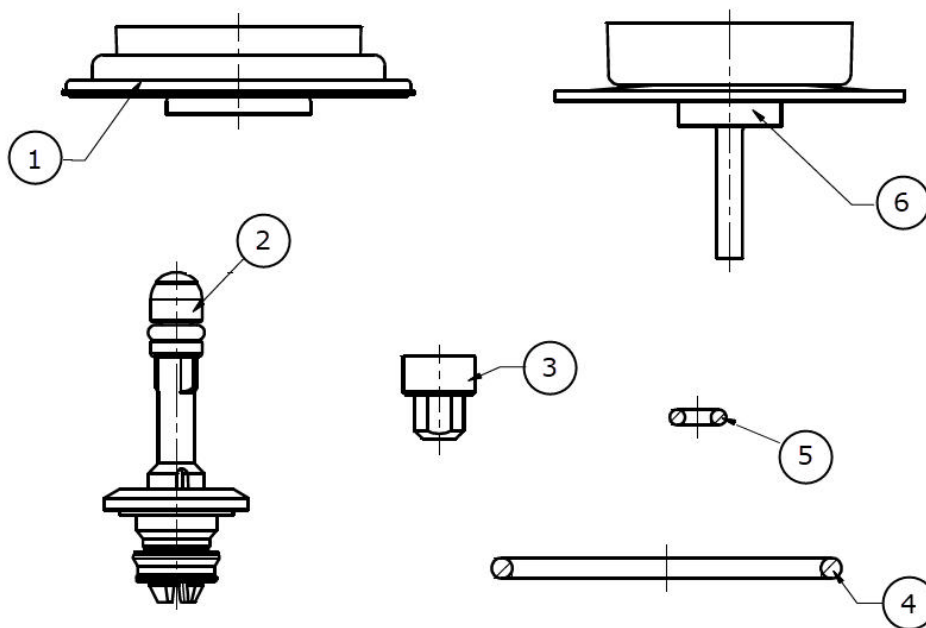
Pos.	Material number	Designation	Short text	Material
	1827009334	CONDENSATE CONTAINER	NL2-CLS-PNB-HO	
	1827009353	SERVICE-PARTS SET	NL2 RGS FRE	
	1827009612	FILTER HOLDER	NL2, AS2	
	1829207061	FILTER ELEMENT	NL1,2 AS1,2 5µM	
	1829246021	COMPRESSION SPRING	NL1,2 AS1 0-10 BAR	
	R413000236	DRAIN VALVE	NL1-6 AS2-AS5 NO HA	
	R961403383	O-RING	15,6X1,78	NBR

Spare parts list

Material number: 1827009353
 Drawing: AS_NL_R961400154_SP
 Designation: NL2 RGS FRE

AVENTICS GmbH
 Ulmer Str. 4
 30880 Laatzen
 spareparts.aventics@emerson.com

Date: 01.12.2022
 Page: 2



Pos.	Designation	Short text	Quantity	Material
1	DIAPHRAGM		1 Stk.	NBR
2	VALVE CONE		1 Stk.	
4	O-RING		1 Stk.	NBR

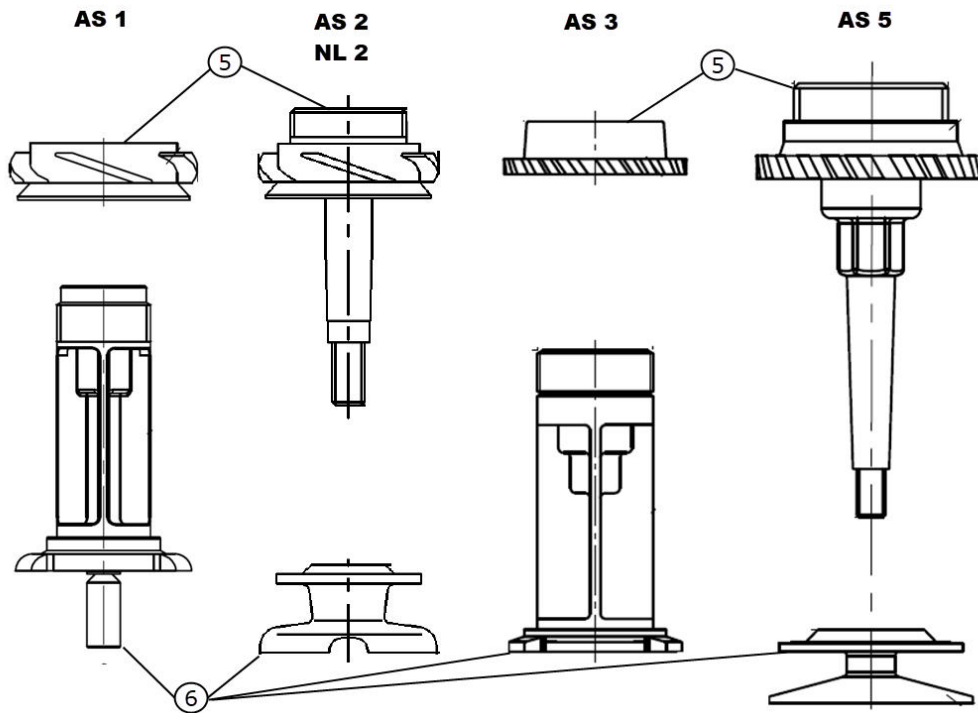
Spare parts list

Material number: 1827009612
Drawing: AS_Filterhalter
Designation: NL2, AS2

AVENTICS GmbH
Ulmer Str. 4
30880 Laatzen
spareparts.aventics@emerson.com

Date: 01.12.2022

Page: 3



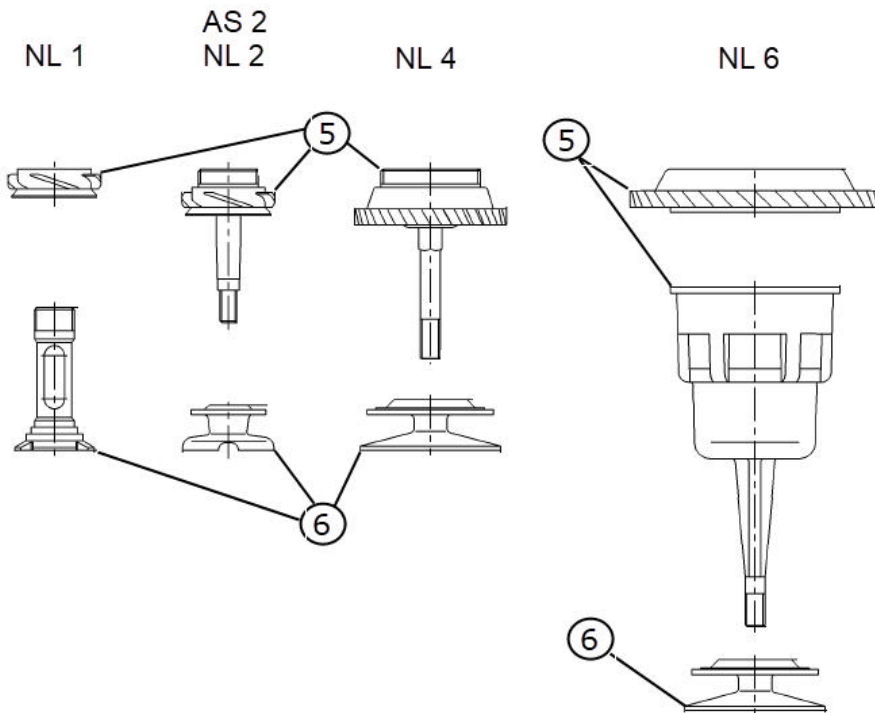
Spare parts list

Material number: 1827009612
 Drawing: AS_Filterhalter
 Designation: NL2, AS2

AVENTICS GmbH
 Ulmer Str. 4
 30880 Laatzen
 spareparts.aventics@emerson.com

Date: 01.12.2022

Page: 4



Pos.	Designation	Short text	Quantity
5	SUPPORT		1 Stk.
6	SUPPORT		1 Stk.

Spare parts list

Material number: 1827009612
Drawing: AS_Filterhalter
Designation: NL2, AS2

AVENTICS GmbH
Ulmer Str. 4
30880 Laatzen
spareparts.aventics@emerson.com

Date: 01.12.2022

Page: 5

Security notice:

All service and repair work shall be executed by AVENTICS GmbH or specially trained personnel. AVENTICS GmbH does not cover defects caused by incorrect installation, faulty maintenance or repair from the buyer's side or third parties. The data specified above only serve to describe the product. No statements concerning a certain condition or suitability for a certain application can be derived from our information. The given information does not release the user from the obligation of own judgement and verification. It must be remembered that our products are subject to a natural process of wear and aging.