

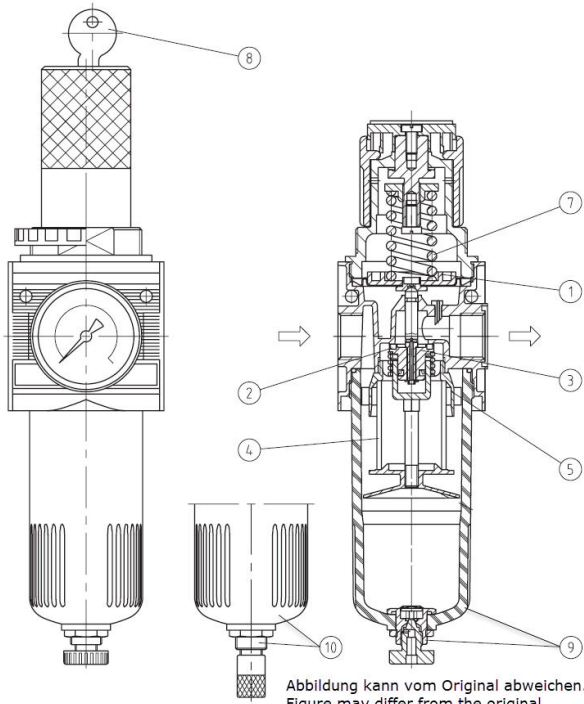
## Spare parts list

Material number: 0821300303  
 Drawing: NL\_1\_2\_4\_6  
 Designation: NL2-FRE-G014-GAU-100-PNB-AO-05,00

AVENTICS GmbH  
 Ulmer Str. 4  
 30880 Laatzen  
 spareparts.aventics@emerson.com

Date: 01.12.2022

Page: 1



| Pos. | Material number | Designation          | Short text         | Material |
|------|-----------------|----------------------|--------------------|----------|
|      | 1827009335      | CONDENSATE CONTAINER | NL2-CLS-PNB-AO     |          |
|      | 1827009352      | DRAIN VALVE          | NL1-6 AS2-5 NO VA  |          |
|      | 1827009353      | SERVICE-PARTS SET    | NL2 RGS FRE        |          |
|      | 1827009612      | FILTER HOLDER        | NL2, AS2           |          |
|      | 1829207061      | FILTER ELEMENT       | NL1,2 AS1,2 5µM    |          |
|      | 1829246021      | COMPRESSION SPRING   | NL1,2 AS1 0-10 BAR |          |
|      | R961403383      | O-RING               | 15,6X1,78          | NBR      |

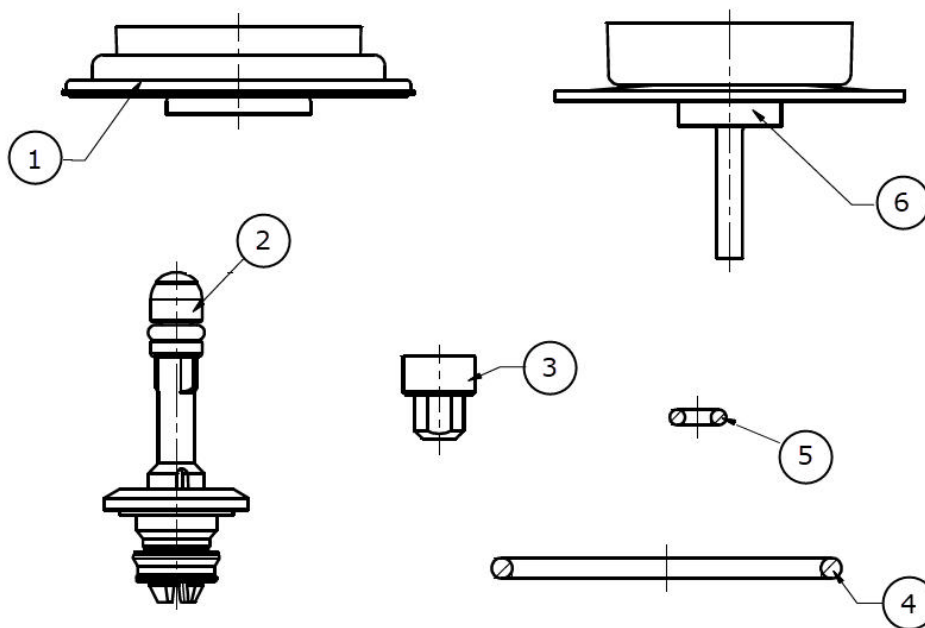
## Spare parts list

Material number: 1827009353  
 Drawing: AS\_NL\_R961400154\_SP  
 Designation: NL2 RGS FRE

AVENTICS GmbH  
 Ulmer Str. 4  
 30880 Laatzen  
 spareparts.aventics@emerson.com

Date: 01.12.2022

Page: 2



| Pos. | Designation | Short text | Quantity | Material |
|------|-------------|------------|----------|----------|
| 1    | DIAPHRAGM   |            | 1 Stk.   | NBR      |
| 2    | VALVE CONE  |            | 1 Stk.   |          |
| 4    | O-RING      |            | 1 Stk.   | NBR      |

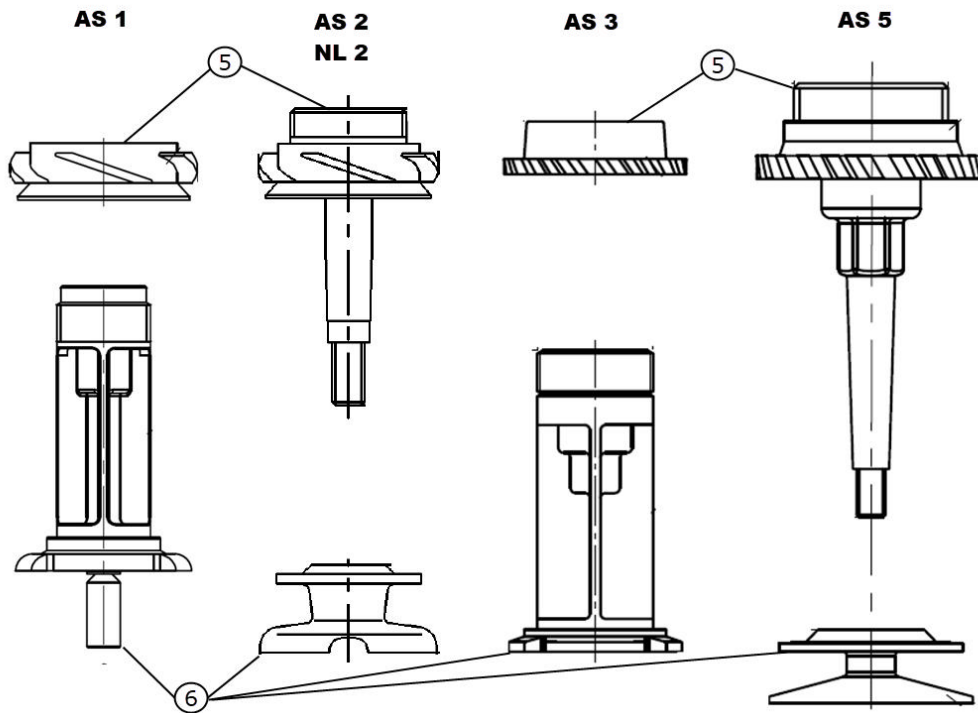
## Spare parts list

Material number: 1827009612  
Drawing: AS\_Filterhalter  
Designation: NL2, AS2

AVENTICS GmbH  
Ulmer Str. 4  
30880 Laatzen  
spareparts.aventics@emerson.com

Date: 01.12.2022

Page: 3



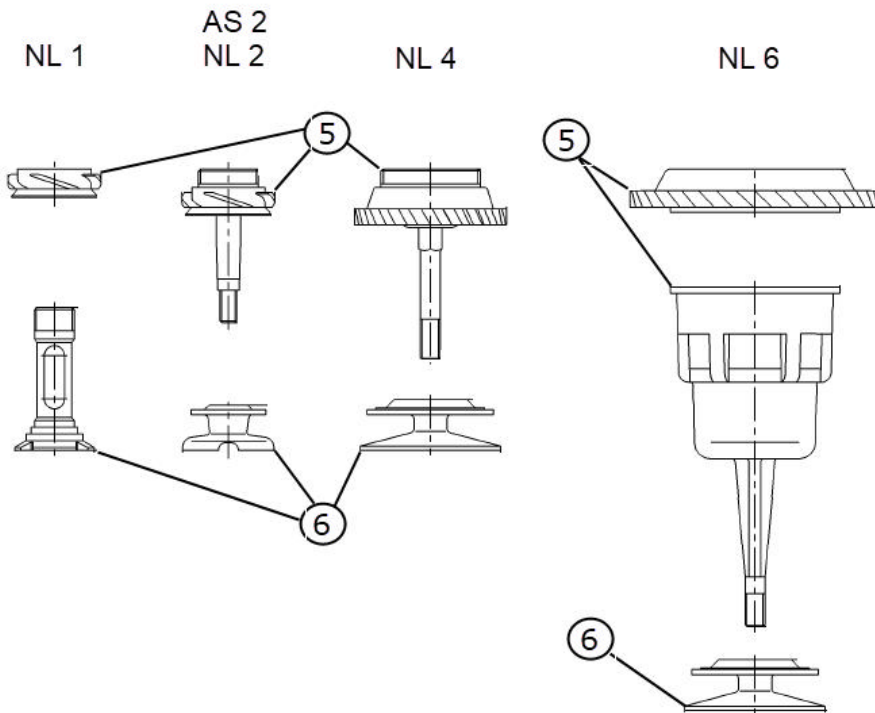
## Spare parts list

Material number: 1827009612  
 Drawing: AS\_Filterhalter  
 Designation: NL2, AS2

AVENTICS GmbH  
 Ulmer Str. 4  
 30880 Laatzen  
 spareparts.aventics@emerson.com

Date: 01.12.2022

Page: 4



| Pos. | Designation | Short text | Quantity |
|------|-------------|------------|----------|
| 5    | SUPPORT     |            | 1 Stk.   |
| 6    | SUPPORT     |            | 1 Stk.   |

## Spare parts list

Material number: 1827009612  
Drawing: AS\_Filterhalter  
Designation: NL2, AS2

AVENTICS GmbH  
Ulmer Str. 4  
30880 Laatzen  
spareparts.aventics@emerson.com

**Date:** 01.12.2022

**Page:** 5

---

### Security notice:

All service and repair work shall be executed by AVENTICS GmbH or specially trained personnel. AVENTICS GmbH does not cover defects caused by incorrect installation, faulty maintenance or repair from the buyer's side or third parties. The data specified above only serve to describe the product. No statements concerning a certain condition or suitability for a certain application can be derived from our information. The given information does not release the user from the obligation of own judgement and verification. It must be remembered that our products are subject to a natural process of wear and aging.