

Spare parts list

Material number: 0821300350
 Drawing: NL_1_2_4_6
 Designation: NL4-FRE-G012-GAU-100-PNB-HO-05,00

AVENTICS GmbH
 Ulmer Str. 4
 30880 Laatzen
 spareparts.aventics@emerson.com

Date: 01.12.2022

Page: 1

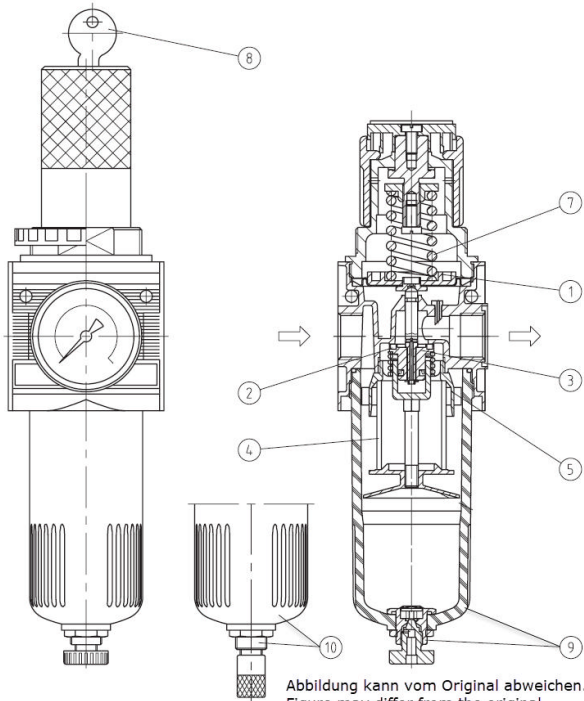


Abbildung kann vom Original abweichen.
 Figure may differ from the original.

Pos.	Material number	Designation	Short text	Quantity	Material
	1827009337	CONDENSATE CONTAINER	NL4-CLS-PNB-HO		
	1827009354	SERVICE-PARTS SET	NL4 RGS		
	1827009355	KEY	NL2-NL6 , AS2		
	1827009613	FILTER HOLDER	NL4		
	1829207070	FILTER ELEMENT	NL4 - 5 µm		
	1829246024	COMPRESSION SPRING	NL4 0-10 BAR		
	R413000236	DRAIN VALVE	NL1-6 AS2-AS5 NO HA		
	R961403387	O-RING	23X2		NBR
	R961403388	O-RING	29,87X1,78	10 Stk.	NBR

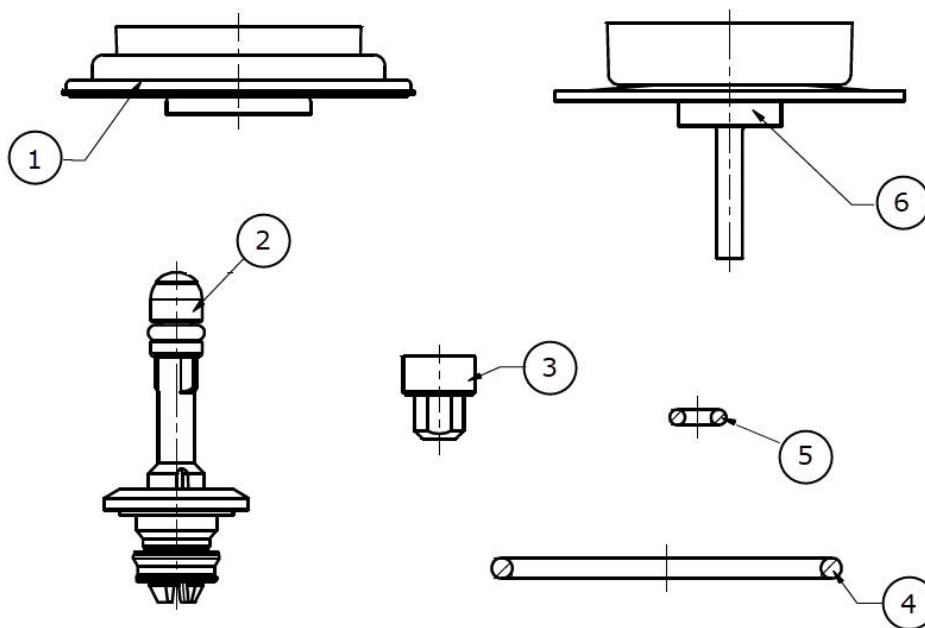
Spare parts list

Material number: 1827009354
 Drawing: AS_NL_R961400154_SP
 Designation: NL4 RGS

AVENTICS GmbH
 Ulmer Str. 4
 30880 Laatzen
 spareparts.aventics@emerson.com

Date: 01.12.2022

Page: 2



Pos.	Designation	Short text	Quantity	Material
1	DIAPHRAGM		1 Stk.	NBR
2	VALVE CONE		1 Stk.	
4	O-RING		1 Stk.	NBR

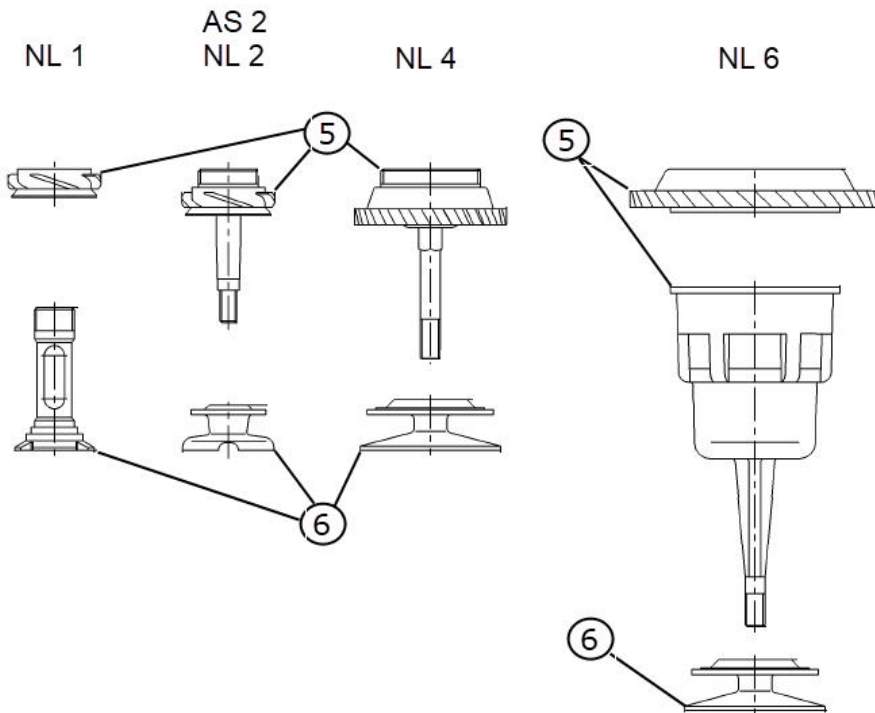
Spare parts list

Material number: 1827009613
 Drawing: NL_Filterhalter
 Designation: NL4

AVENTICS GmbH
 Ulmer Str. 4
 30880 Laatzen
 spareparts.aventics@emerson.com

Date: 01.12.2022

Page: 3



Pos.	Designation	Short text	Quantity
5	SUPPORT		1 Stk.
6	SUPPORT		1 Stk.

Spare parts list

Material number: 1827009613
Drawing: NL_Filterhalter
Designation: NL4

AVENTICS GmbH
Ulmer Str. 4
30880 Laatzen
spareparts.aventics@emerson.com

Date: 01.12.2022

Page: 4

Security notice:

All service and repair work shall be executed by AVENTICS GmbH or specially trained personnel. AVENTICS GmbH does not cover defects caused by incorrect installation, faulty maintenance or repair from the buyer's side or third parties. The data specified above only serve to describe the product. No statements concerning a certain condition or suitability for a certain application can be derived from our information. The given information does not release the user from the obligation of own judgement and verification. It must be remembered that our products are subject to a natural process of wear and aging.