

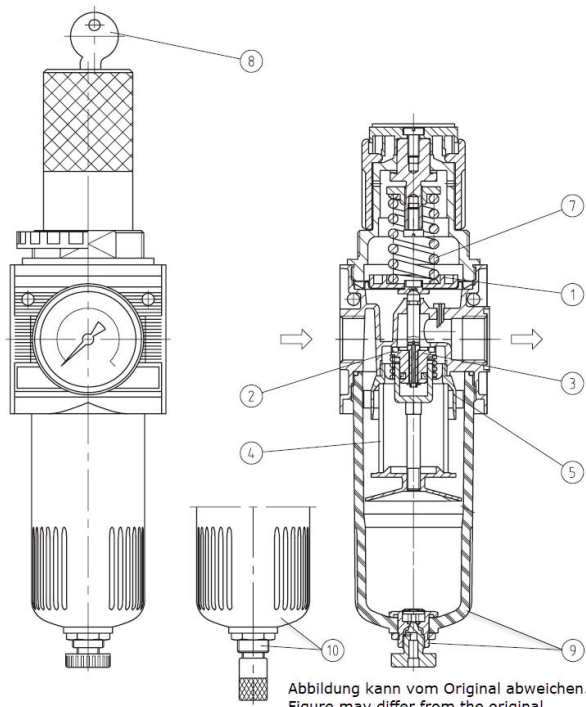
Spare parts list

Material number: 0821300354
 Drawing: NL_1_2_4_6
 Designation: NL4-FRE-G012-GAU-100-PBS-AO-05,00

AVENTICS GmbH
 Ulmer Str. 4
 30880 Laatzen
 spareparts.aventics@emerson.com

Date: 01.12.2022

Page: 1



| Pos. | Material number | Designation | Short text | Quantity | Material |
|------|-----------------|----------------------|-------------------|----------|----------|
| | 1827009338 | CONDENSATE CONTAINER | NL4-CLS-PNB-AO | | |
| | 1827009352 | DRAIN VALVE | NL1-6 AS2-5 NO VA | | |
| | 1827009354 | SERVICE-PARTS SET | NL4 RGS | | |
| | 1827009613 | FILTER HOLDER | NL4 | | |
| | 1829207070 | FILTER ELEMENT | NL4 - 5 µm | | |
| | 1829246024 | COMPRESSION SPRING | NL4 0-10 BAR | | |
| | R961403387 | O-RING | 23X2 | | NBR |
| | R961403388 | O-RING | 29,87X1,78 | 10 Stk. | NBR |

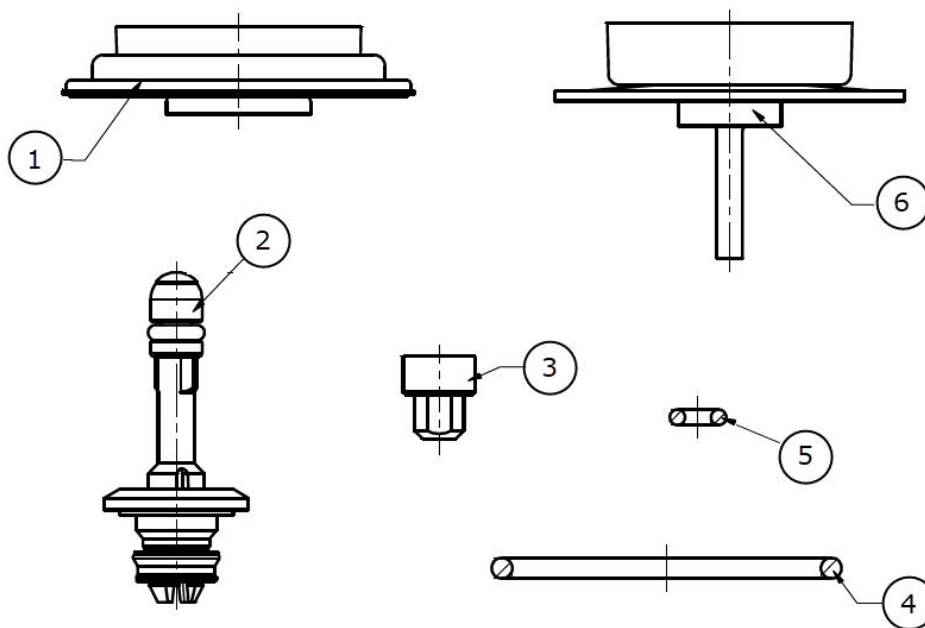
Spare parts list

Material number: 1827009354
 Drawing: AS_NL_R961400154_SP
 Designation: NL4 RGS

AVENTICS GmbH
 Ulmer Str. 4
 30880 Laatzen
 spareparts.aventics@emerson.com

Date: 01.12.2022

Page: 2



| Pos. | Designation | Short text | Quantity | Material |
|------|-------------|------------|----------|----------|
| 1 | DIAPHRAGM | | 1 Stk. | NBR |
| 2 | VALVE CONE | | 1 Stk. | |
| 4 | O-RING | | 1 Stk. | NBR |

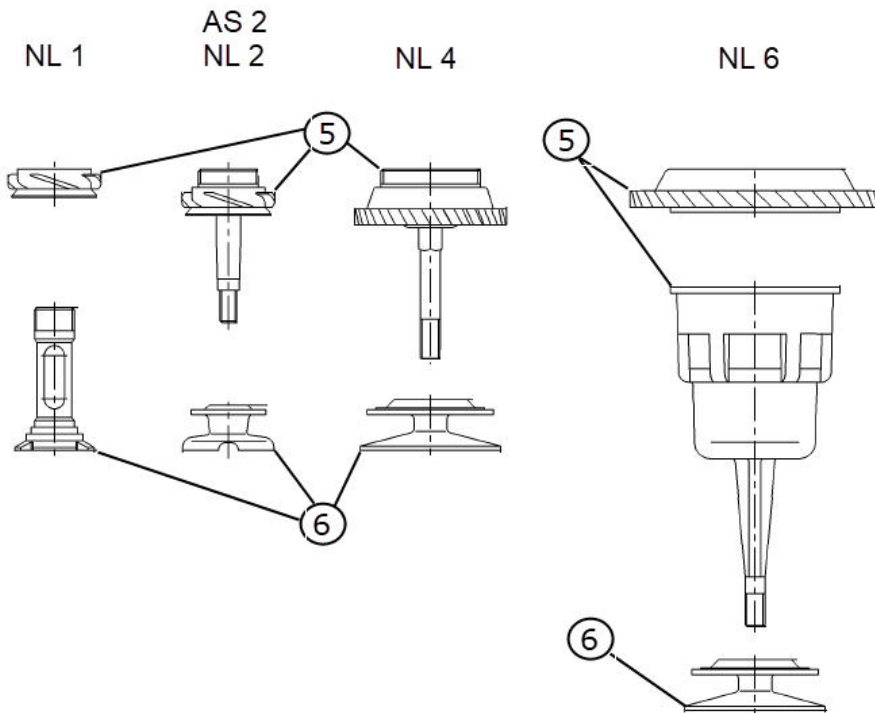
Spare parts list

Material number: 1827009613
 Drawing: NL_Filterhalter
 Designation: NL4

AVENTICS GmbH
 Ulmer Str. 4
 30880 Laatzen
 spareparts.aventics@emerson.com

Date: 01.12.2022

Page: 3



| Pos. | Designation | Short text | Quantity |
|------|-------------|------------|----------|
| 5 | SUPPORT | | 1 Stk. |
| 6 | SUPPORT | | 1 Stk. |

Spare parts list

Material number: 1827009613
Drawing: NL_Filterhalter
Designation: NL4

AVENTICS GmbH
Ulmer Str. 4
30880 Laatzen
spareparts.aventics@emerson.com

Date: 01.12.2022

Page: 4

Security notice:

All service and repair work shall be executed by AVENTICS GmbH or specially trained personnel. AVENTICS GmbH does not cover defects caused by incorrect installation, faulty maintenance or repair from the buyer's side or third parties. The data specified above only serve to describe the product. No statements concerning a certain condition or suitability for a certain application can be derived from our information. The given information does not release the user from the obligation of own judgement and verification. It must be remembered that our products are subject to a natural process of wear and aging.