

## Spare parts list

Material number: 0821301515  
 Drawing: NL\_1\_2\_4\_6  
 Designation: NL4-LBS-G012-PNB-MN

AVENTICS GmbH  
 Ulmer Str. 4  
 30880 Laatzen  
 spareparts.aventics@emerson.com

Date: 27.02.2023

Page: 1

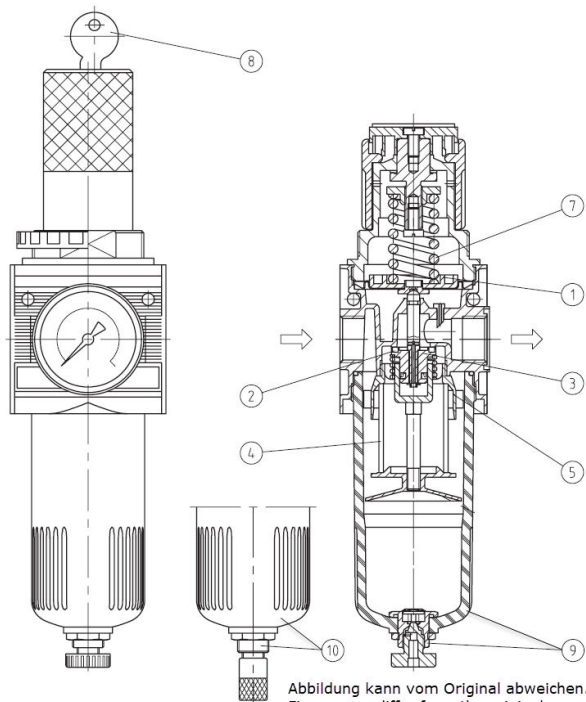


Abbildung kann vom Original abweichen.  
 Figure may differ from the original.

Pos.	Material number	Designation	Short text	Quantity	Material
	1823414014	SOCKET HEAD CAP SCREW	ISO4762-M5X85-8.8 VERZ.	1 Stk.	
	1827009336	OIL RESERVOIR	NL4-CBS-PNB		
	1827009356	OIL-METERING UNIT	POLYCARBONAT	10 Stk.	
	1827009358	SCREW	NL4,6		
	1827009613	FILTER HOLDER	NL4		
	R412003757	OIL RESERVOIR	NL4 M ELEK	10 Stk.	
			NIVEAUANZE		
	R961403387	O-RING	23X2		NBR
	R961403388	O-RING	29,87X1,78	10 Stk.	NBR

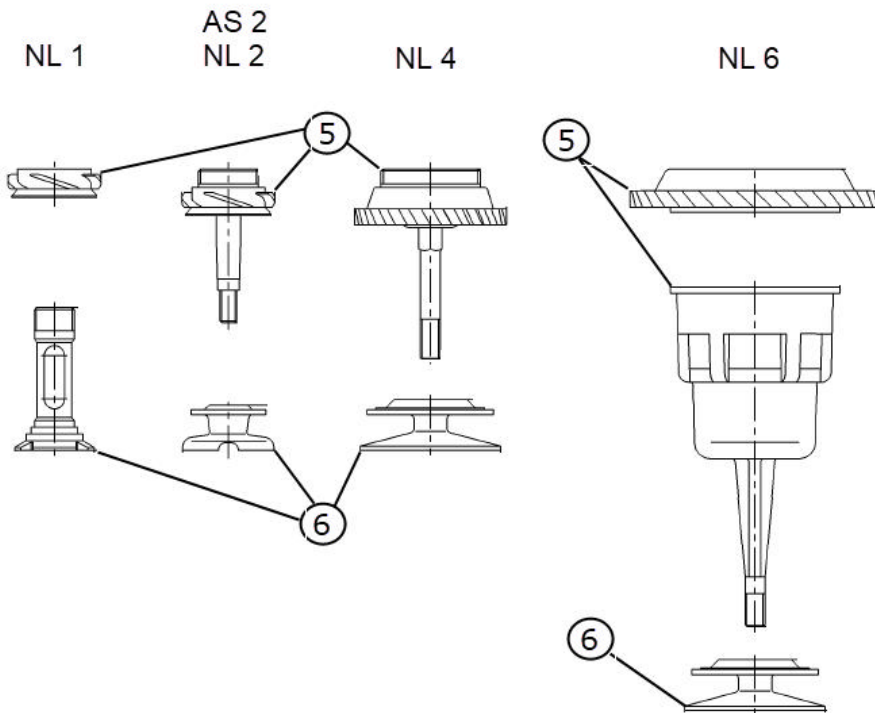
## Spare parts list

Material number: 1827009613  
 Drawing: NL\_Filterhalter  
 Designation: NL4

AVENTICS GmbH  
 Ulmer Str. 4  
 30880 Laatzen  
 spareparts.aventics@emerson.com

Date: 27.02.2023

Page: 2



Pos.	Designation	Short text	Quantity
5	SUPPORT		1 Stk.
6	SUPPORT		1 Stk.

## Spare parts list

Material number: 1827009613  
Drawing: NL\_Filterhalter  
Designation: NL4

AVENTICS GmbH  
Ulmer Str. 4  
30880 Laatzen  
spareparts.aventics@emerson.com

**Date:** 27.02.2023

**Page:** 3

---

### Security notice:

All service and repair work shall be executed by AVENTICS GmbH or specially trained personnel. AVENTICS GmbH does not cover defects caused by incorrect installation, faulty maintenance or repair from the buyer's side or third parties. The data specified above only serve to describe the product. No statements concerning a certain condition or suitability for a certain application can be derived from our information. The given information does not release the user from the obligation of own judgement and verification. It must be remembered that our products are subject to a natural process of wear and aging.