

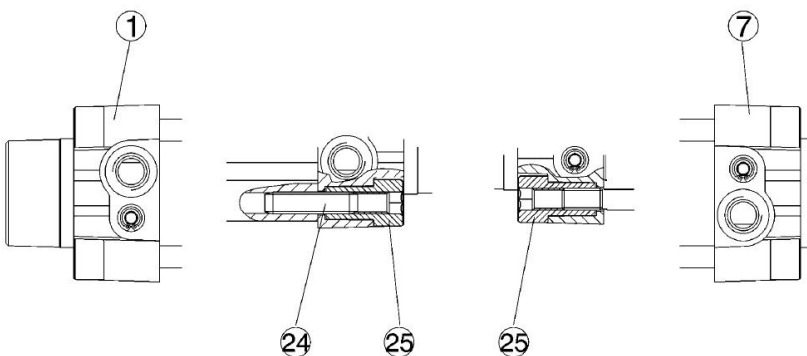
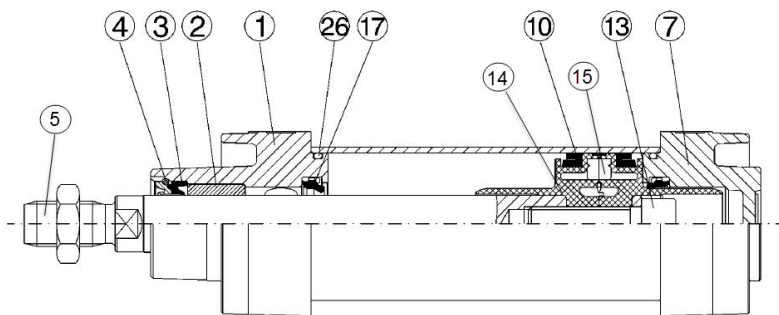
Spare parts list

Material number: 0822123011
 Drawing:
 Designation: PRA-DA-063-0500-
 032211110000000000000000-B

AVENTICS GmbH
 Ulmer Str. 4
 30880 Laatzen
 spareparts.aventics@emerson.com

Date: 29.03.2023
 Page: 1

Pos.	Material number	Designation	Short text	Quantity
10	1827009576	SERVICE-PARTS SET	ERSATZTEILSATZ TRB-PRX-063-ST	
10	R413000901	SERVICE-PARTS SET	PRA/TRB-063-ST	1 Stk.



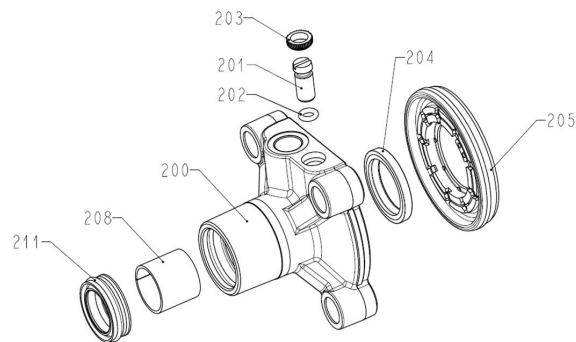
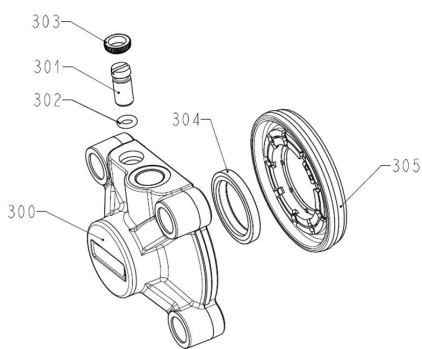
Spare parts list

Material number: 1827009576
 Drawing: TRB_PRA_ST_25-100
 Designation: ERSATZTEILSATZ TRB-PRX-063-ST

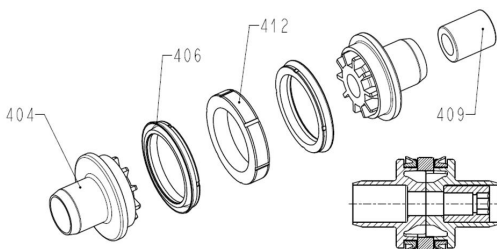
AVENTICS GmbH
 Ulmer Str. 4
 30880 Laatzen
 spareparts.aventics@emerson.com

Date: 29.03.2023
 Page: 2

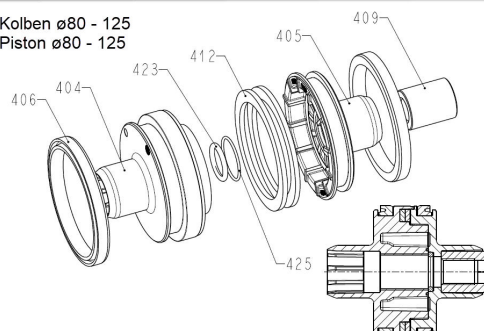
Pos.	Designation	Short text	Quantity	Material
	BUSHING	ISO3547-20X23X15	2 Stk.	METALL
	ROD SEAL	20X30X10,7	2 Stk.	PUR
	O-RING	55,25X 2,62	2 Stk.	NBR
	PISTON SEAL	63X53X7,0	2 Stk.	PUR
	DAMPING RING		2 Stk.	PUR
	BUSHING	20X28X20	1 Stk.	PUR
	LUBRICATING GREASE	AGS-20G	1 Stk.	
	INSERT	063	2 Stk.	NBR
	DAMPING RING	50/63	2 Stk.	TPU



Kolben ø32 - 63
 Piston ø32 - 63



Kolben ø80 - 125
 Piston ø80 - 125



Spare parts list

AVENTICS GmbH
 Ulmer Str. 4
 30880 Laatzen
 spareparts.aventics@emerson.com

Material number: R413000901
 Drawing: PRA_TRB_ST_32-125
 Designation: PRA/TRB-063-ST

Date: 29.03.2023
 Page: 3

Pos.	Designation	Short text	Quantity	Material
204	DAMPING RING	50/63	2 Stk.	TPU
205	INSERT	063	2 Stk.	NBR
208	BUSHING	ISO3547-20X23X15	2 Stk.	METALL
211	ROD SEAL	20X30X10,7	2 Stk.	PUR
406	PISTON SEAL	63X53X7,0	2 Stk.	PUR
	LUBRICATING GREASE	AGS-20G	1 Stk.	

Security notice:

All service and repair work shall be executed by AVENTICS GmbH or specially trained personnel. AVENTICS GmbH does not cover defects caused by incorrect installation, faulty maintenance or repair from the buyer's side or third parties. The data specified above only serve to describe the product. No statements concerning a certain condition or suitability for a certain application can be derived from our information. The given information does not release the user from the obligation of own judgement and verification. It must be remembered that our products are subject to a natural process of wear and aging.