

Tlumie hluku, série SI1

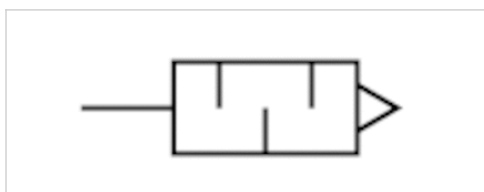
- G 1/4

- Spékaný bronz



Provozní tlak min/max
Teplota okolí min./max.
Médium
Hladina akustického tlaku
Hmotnost
Poznámka

0 ... 10 bar
-25 ... 80 °C
Stlačený vzduch
Viz tabulka níže
Viz tabulka níže
Průtokové charakteristiky najdete v oddílu Diagramy.



Technické údaje

Číslo materiálu	Přípoj stlačeného vzduchu	Hladina akustického tlaku	Průtok	Dodací měrná jednotka	Hmotnost
			Qn		
R412004817	G 1/4	-	5950 l/min	10 Ks	0,013 kg
1827000001	G 1/4	79 dB	3390 l/min	10 Ks	0,02 kg

Hmotnost jednotlivého kusu

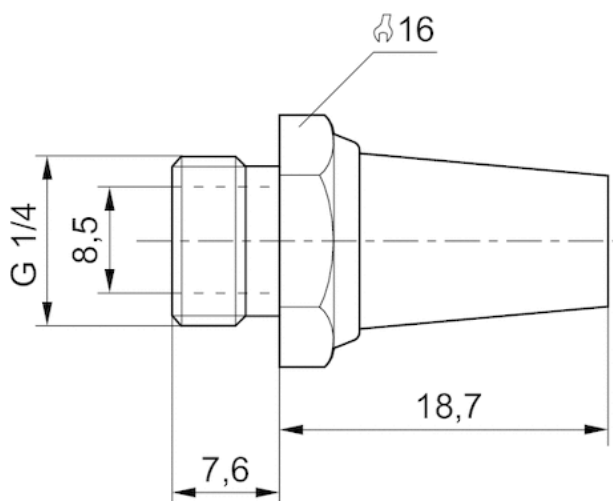
Jmenovitý průtok Qn při p1 = 6 bar (absolutní), volně odtékající. Hladina akustického tlaku měřena při 6 bar proti atmosféře ve vzdálenosti 1 m .

Technické informace

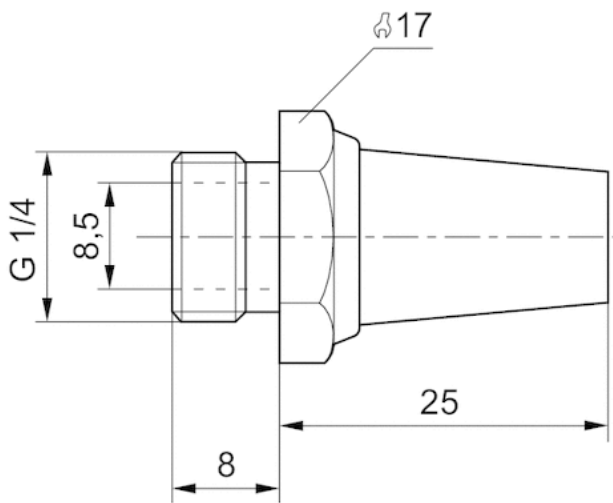
Materiál	
Tlumiče odfuku	Spékaný bronz
Závit	Mosaz

Rozmry

Rozmry v mm



Rozmry v mm



Efficient pneumatic solutions, our program: cylinders and drives, valves and valve systems, air supply management



Visit us: [Emerson.com/Aventics](https://www.emerson.com/Aventics)

Your local contact: [Emerson.com/contactus](https://www.emerson.com/contactus)



Emerson.com



[Facebook.com/EmersonAutomationSolutions](https://www.facebook.com/EmersonAutomationSolutions)



[LinkedIn.com/company/Emerson-Automation-Solutions](https://www.linkedin.com/company/Emerson-Automation-Solutions)



[Twitter.com/EMR_Automation](https://twitter.com/EMR_Automation)

An example configuration is depicted on the title page. The delivered product may thus vary from that in the illustration. Subject to change. This Document, as well as the data, specifications and other information set forth in it, are the exclusive property of AVENTICS GmbH. It may not be reproduced or given to third parties without its consent. Only use the AVENTICS products shown in industrial applications. Read the product documentation completely and carefully before using the product. Observe the applicable regulations and laws of the respective country. When integrating the product into applications, note the system manufacturer's specifications for safe use of the product. The data specified only serve to describe the product. No statements concerning a certain condition or suitability for a certain application can be derived from our information. The information given does not release the user from the obligation of own judgement and verification. It must be remembered that the products are subject to a natural process of wear and aging.

The Emerson logo is a trademark and service mark of Emerson Electric Co. Brand logotype are registered trademarks of one of the Emerson family of companies. All other marks are the property of their respective owners. © 2022 Emerson Electric Co. All rights reserved.
2022-05



CONSIDER IT SOLVED™