

# 5/2-directional valve, Series 581, size 3

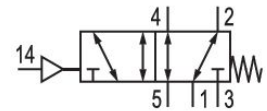
5813140000

581, size 3

2023-12-18

## ISO 5599-1, series 581, size 3

Qn = 1400 l/min



## Technical data

Industry	Industrial
Activation	Pneumatically
Switching principle	5/2, with spring return
Connection type	Plate connection
Nominal flow Qn	4800 l/min
Compressed air connection output	Base plate ISO 5599-1
Min. working pressure	-0.95 bar
Max. working pressure	16 bar
Sealing principle	Soft seal
Standards	ISO 5599-1
Valve type	Spool valve
Version	ISO 3
Can be assembled into blocks	Can be assembled into blocks
Blocking principle	Single base plate principle
Min. control pressure	3 bar
Max. control pressure	16 bar
Min. ambient temperature	-20 °C
Max. ambient temperature	70 °C
Min. medium temperature	-20 °C

# 5/2-directional valve, Series 581, size 3

581, size 3

5813140000

2023-12-18

---

Max. medium temperature	70 °C
Medium	Compressed air
Max. particle size	50 µm
Min. oil content of compressed air	0 mg/m <sup>3</sup>
Max. oil content of compressed air	5 mg/m <sup>3</sup>
Compressed air connection input	Base plate ISO 5599-1
Flow conductance C	18.9 l/(s*bar)
Mounting screw	with hexagon socket
Mounting screw tightening torque	10 Nm
Weight	0.85 kg
Housing material	Aluminum
Seal material	Acrylonitrile butadiene rubber
Part No.	5813140000

## Technical information

The min. control pressure must be adhered to, since otherwise faulty switching and valve failure may result!

The pressure dew point must be at least 15 °C less than ambient and medium temperature and may not exceed 3 °C.

The oil content of compressed air must remain constant during the life cycle.

Use only the approved oils from AVENTICS. Further information can be found in the "Technical information" document (available in <https://www.emerson.com/en-us/support>).

Fig. 1

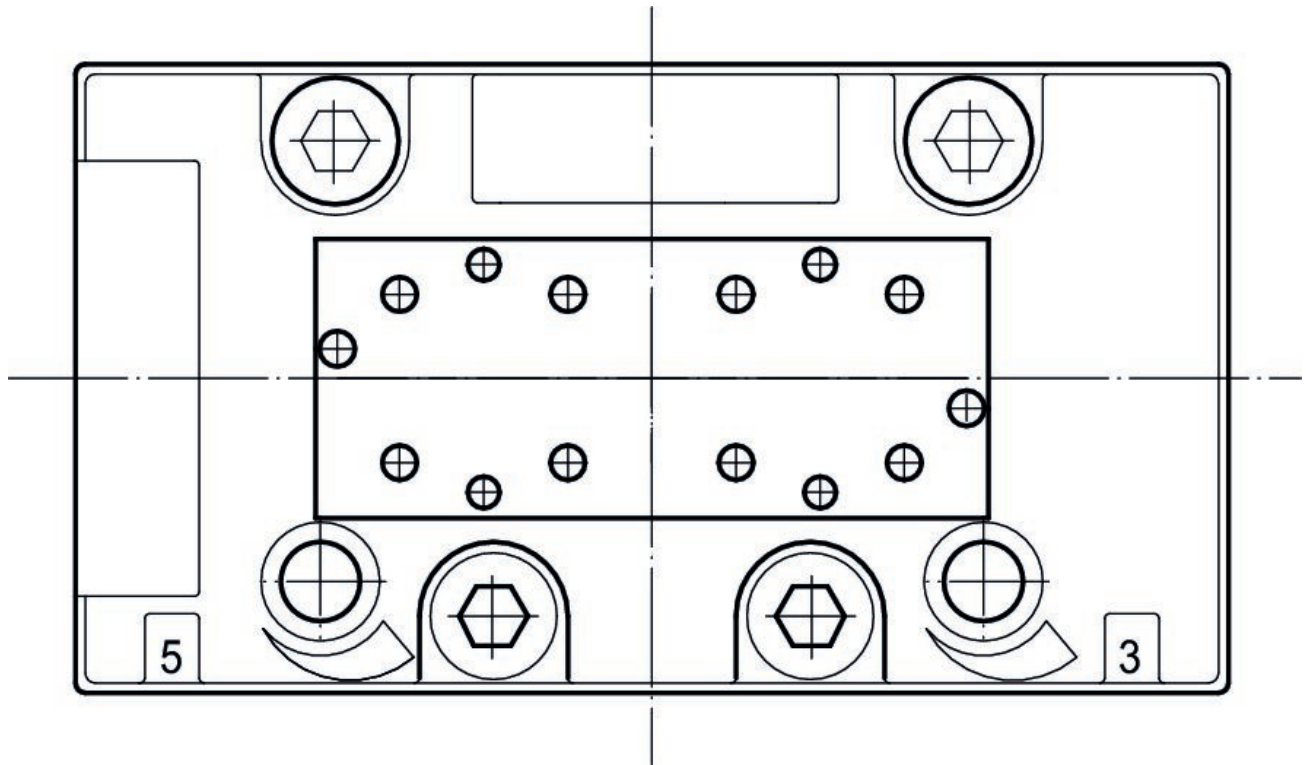
# 5/2-directional valve, Series 581, size 3

581, size 3

5813140000

2023-12-18

Hole pattern for logic modules



## Dimensions

