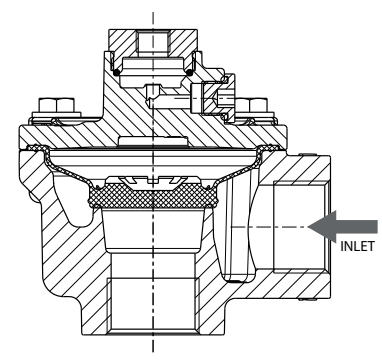
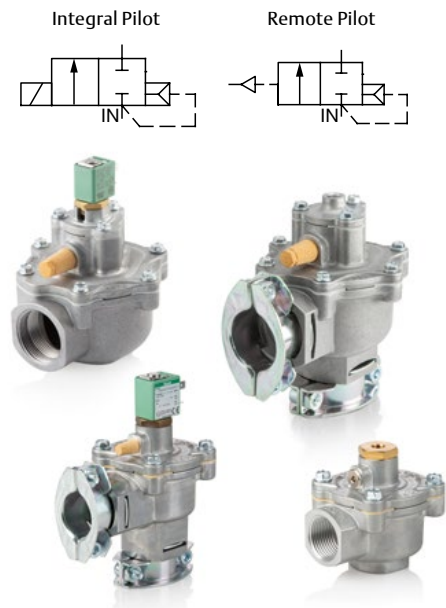
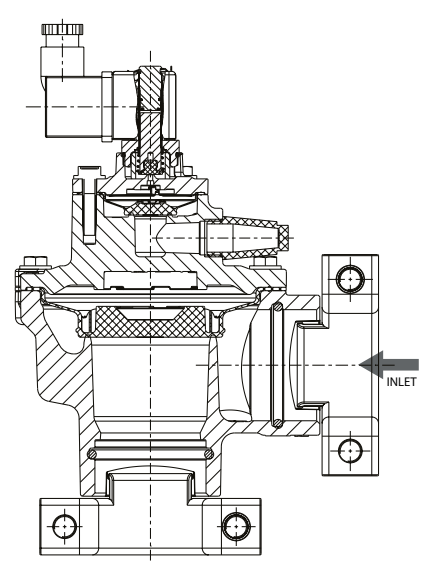


- The springless one-piece diaphragm pulse valves are especially designed for dust collector service applications, combining high flow, long life and extremely fast opening and closing to produce reliable and economical operation. The valves are selectable with integral or remote piloting.
- The high flow, angle type bodies, springless construction, in combination with the special diaphragm assemblies give the unique operating features required for dust collector service applications.
- Engineered to deliver a high-energy pulse of air while minimizing compressed air consumption. The valve delivers an average compressed air savings of 15%. Specific system savings can be calculated using this compressed air calculator. [Series 353 Air Savings Calculator](#)
- The design with patented Quick Mount Clamp connections eliminates the time consuming thread cutting and sealing resulting in maximum flexibility while the valve will be anchored to the pipes.
- Built-in silencers guarantee noise free operation and avoid foreign particles entering the valve.
- The integral operators are provided with epoxy moulded F-class coils. Various optional waterproof and explosionproof solenoids for use in potentially explosive atmospheres (gas & dust) according to Directive ATEX 2014/34/EU available.
- The valves satisfy all relevant EC directives.
- UL Recognized / CSA and RoHS compliant.



Threaded pipe connection



Quick Mount Clamp connection

## General Valve Information

Body	Aluminium	
Core tube, core spring, core and plugnut	Stainless Steel	
Shading coil	Copper	
Sealings and disc	NBR (Nitrile)	
Diaphragm	TPE / TPE-LT	
Temperature range	<b>TPE - Standard</b> Ambient -20°C to +85°C (-4°F to 185°F) Medium -20°C to +140°C (-4°F to 284°F)	<b>TPE - Low-Temp</b> Ambient -40°C to +60°C (-40°F to 140°F) Medium -40°C to +60°C (-40°F to 140°F)

## Electrical Characteristic (1)

Relative Duty Time	10%, max. on time 1 min.
Coil insulation class	F - 155°C (311°F)
Electrical enclosure protection	Moulded enclosure IP 65
Electrical interface	Spade plug (Cable Ø 6 - 8 mm (0.24 - 0.32 inches)), DIN 46244
Electrical safety	IEC 335
Voltage	DC 24V; AC 24V/50-60Hz, 120/60 - 110/50V/Hz, 230V/50-60Hz

(1) More Information see pages 2 and 9 to 12

TR000098ENUS-02\_08-21 Availability, design and specifications are subject to change without notice. All rights reserved.

**Specifications**

Pipe Size (in)	Orifice Size	Flow Factor		Operating Pressure Differential bar (psi)		Coil Wattage (1)		Connection Type	Catalog Number	Electrical Interface (2)	Options (3)	Voltage Code					Dimension Type (4)							
		mm (in)	Kv (m³/h)	Cv	Min	Max.	AC					DC	24/50-60	120/60, 110/50	230/50-60	24/DC		Remote						
<b>2-Way Normally Closed Aluminum Valve, TPE (One-Piece Diaphragm)</b>																<b>Drawing</b>								
3/4"	32 (1-1/4")	13	15	2	8,5 (125)			NPT-Thread	8353K111...	0X (Remote Pilot)	A00				00	4								
								G-Thread	G353K111...							4								
								Clamp (NPT - Bonnet)	K353K111...							2								
								Clamp (G - Bonnet)	K353K111...							2								
								6,3	22							NPT-Thread	8353K111...	S1 - DIN Coil (w/ connector)	A00	FQ	F0	FH	F1	3
																G-Thread	G353K111...							3
																Clamp	K353K111...							1
																1"	32 (1-1/4")	20	23	2	8,5 (125)			NPT-Thread
G-Thread	G353K211...	4																						
Clamp (NPT - Bonnet)	K353K211...	2																						
Clamp (G - Bonnet)	K353K211...	2																						
6,3	22							NPT-Thread	8353K211...	S1 - DIN Coil (w/ connector)	A00	FQ	F0	FH	F1									3
								G-Thread	G353K211...															3
								Clamp	K353K211...															1
								1 1/2"	55 (1-1/2")	49	57	2	8,5 (125)											NPT-Thread
																G-Thread	G353K311...	8						
																Clamp (NPT - Bonnet)	K353K311...	6						
Clamp (G - Bonnet)	K353K311...	6																						
6,3	22															NPT-Thread	8353K311...	S1 - DIN Coil (w/ connector)	A00	FQ	F0	FH	F1	7
																G-Thread	G353K311...							7
																Clamp	K353K311...							5

(1) Detailed technical information on the following page(s).

(2) Electrical operator types on the following page(s).

(3) More options for each construction type on the following page(s).

(4) Dimensions, see drawing(s) for each construction type on the following page(s).

**Quick Mount Clamp Connection - Remote Pilot Valves**

Pipe Size (in)	Connection Type	Catalog Number (Standard)	Catalog Number (Low-Temp)	Valve Details
3/4"	Clamp (NPT - Bonnet)	K353K1110X6AG00	K353K1120X6AG00	3/4", Clamp, Remote, NPT Bonnet
	Clamp (G - Bonnet)	K353K1110XA0000	K353K1120XA0000	3/4", Clamp, Remote, G Bonnet
1"	Clamp (NPT - Bonnet)	K353K2110X6AG00	K353K2120X6AG00	1", Clamp, Remote, NPT Bonnet
	Clamp (G - Bonnet)	K353K2110XA0000	K353K2120XA0000	1", Clamp, Remote, G Bonnet
1 1/2"	Clamp (NPT - Bonnet)	K353K3110X6AG00	K353K3120X6AG00	1 1/2", Clamp, Remote, NPT Bonnet
	Clamp (G - Bonnet)	K353K3110XA0000	K353K3120XA0000	1 1/2", Clamp, Remote, G Bonnet

TR000098ENUS-02\_08-21

## How To Order

**G 353 K 1 1 1 S0 A00 F1**

**Connection Type**  
G = ISO 228/1 "G" body connections  
K = Quick Connect / Clamp (5)  
8 = NPT inlet connection

**Product Series**  
353 = Pulse Valves

**Revision**  
K = Initial Release

**Pipe Size**  
1 = 3/4"  
2 = 1"  
3 = 1 1/2"

**Body Material**  
1 = Aluminium  
3 = Aluminium Anodized

**Voltage**  
00 = All remote valves no voltage required  
F1 = 24V/DC Class F  
F0 = 120/60, 110/50 Class F  
FQ = 24V/50-60Hz Class F  
FH = 230/50-60 Class F  
**Other voltages on request**

**Options**  
A00 = w/out option  
6AG = NPT Bonnet (Must select when ordering Clamp (K) connection & Remote Pilot (0X) only)  
A01 = w/out silencer (only solenoid)  
600 = Fitting for Tube 6mm (remote only)  
601 = Fitting for Tube 8mm (remote only)  
6AH = Clamp connection on inlet  
9DQ = Inlet clamp connection only + fitting for tube 6mm (remote pilot + clamp only)  
9DR = Inlet clamp connection only + fitting for tube 8mm (remote pilot + clamp only)  
9DT = Inlet clamp connection only + without silencer (solenoid + clamp only)  
9DU = Inlet clamp connection only + NPT bonnet and remote pilot connections (remote pilot + clamp connection only)

**Further options on request**

**Temperature range / Sealing**  
1 = TPE Standard  
(Ambient: -20°C (-4°F) to 85°C (185°F). Medium -20°C (-4°F) to 140°C (284°F)  
2 = TPE Low-Temp  
(Ambient: -40°C (-40°F) to 60°C (140°F). Medium -40°C (-40°F) to 60°C (140°F)

**Electrical interface & explosion proof options**  
0X = All remote pilot valves no voltages required (6)  
S0 = Spade plug, 3x DIN 46244 without connector (equivalent to old **SC** prefix)(7)  
S1 = Spade plug, 3x DIN 46244, IP65 (equivalent to old **SC** prefix) (7)  
SG = Moulded coil with connector, epoxy encapsulated, ATEX II 3GD Ex ec IIC Gc / II 3GD Ex tc IIIC Dc, zone 22 (equivalent to **SG** prefix) (7) (9)  
FN = Aluminium enclosure, 1/2 NPT conduit, IECEx/ATEX II 2G Ex db IIC Gb / II 2D Ex tb IIIC Db, zone 1-21 (equivalent to **NF** prefix) (7) (9)  
MV = Steel enclosure, M20 cable gland, IECEx/ATEX II 2G Ex eb mb IIC Gb/II2D Ex tb IIIC Db, zone 1-21 (equivalent to **EM** prefix) (7) (9)  
A7 = Moulded enclosure, epoxy encapsulated, integrated cable, IECEx/ATEX II 2G Ex mb IIC Gb / II 2D Ex mb IIIC Db, zone 1-21 (equivalent to **PV** prefix) (7) (9)  
X8 = Water Proof Enclosure, Zinc plated steel (epoxy coated), IP67 (equivalent to **WP** prefix) (7) (9)  
H0 = Moulded coil with leads, epoxy encapsulated, conduit hub 1/2" NPT zinc plated carbon steel NEMA Types 7 and 9, Class I&Div.2, UL/CSA (equivalent to **EF** prefix) (7) (9)  
... = **Other operators on request**

(5) Selecting G for Connection Type will also include G thread for the Remote Pilot Port and selecting 8 for Connection Type will include NPT thread for the Remote Pilot Port. To select the thread type on the Remote Pilot Port for the Clamp Connections, please choose the appropriate Option in digits 11-13 (i.e. 6AG for NPT thread).

(6) NON-ATEX VERSIONS 353-SERIES USABLE IN ATEX ZONES

This product category does not require certification. There is no potential ignition risk to the products themselves. These product categories are named simple mechanical products. These products can be used in specific explosion zones 1 and 21 in compliance with our installation instructions. Pulse Valves and their accessories are capable for use in explosive atmospheres in the form of gas, steam, mists and dust.

(7) Dimensions on page 10 to 12 to find.

(8) Search prefix in [www.emerson.com/asco](http://www.emerson.com/asco) to get detailed technical information. Please note that the valve pressure ratings with some of the ATEX enclosures will be reduced.

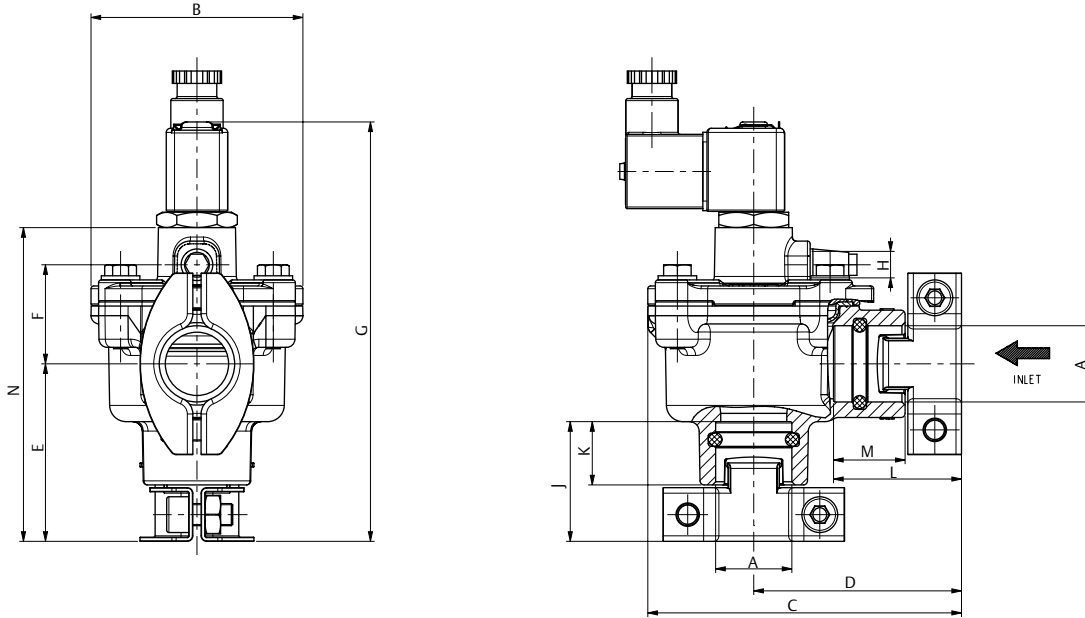
To obtain the correct pressure rating please check the landing pages of the "2-Way Solenoid Pulse Valve Configurator".

(9) Coils class F only.

**Dimensions: mm (inches)**

**Version with Quick Mount Clamp connection**

**Fig.1: Integral pilot operated**



**Fig.2: Remote pilot operated**

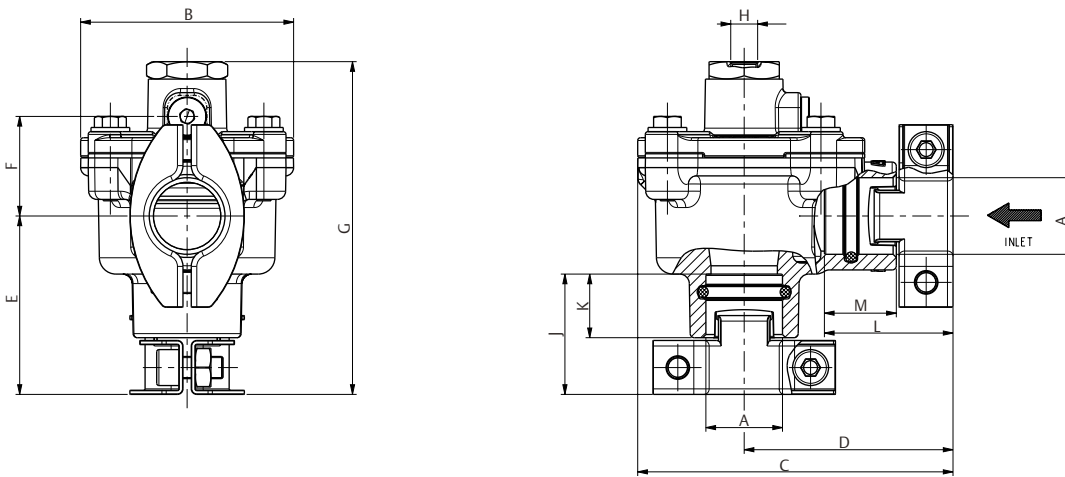


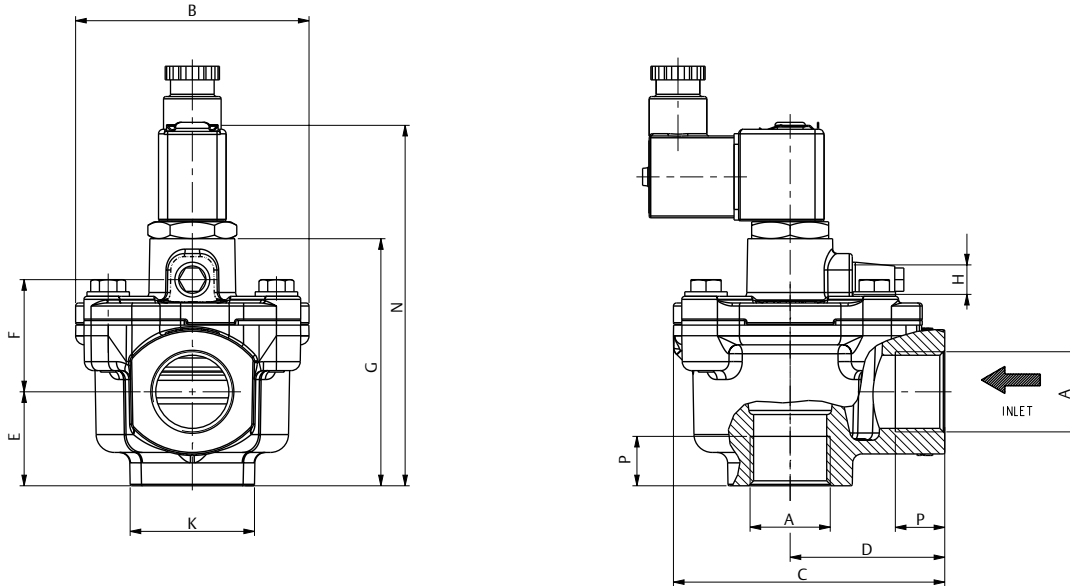
Fig.	A	B	C	D	E	F	G	H	J	K	L	M	N	Weight kg (lbs)
1	G 3/4"	77	114	76	65	36	152	G1/8"	43.5	23	46.5	26	114	0.76
	NPT 3/4"	(3.032)	(4.488)	(2.992)	(2.559)	(1.417)	(5.984)	NPT 1/8"	(1.713)	(0.906)	(1.831)	(1.024)	(4.488)	(1.68)
	G 1"	77	120	82	71	40	162	G1/8"	44.5	23	44.5	23	124	0.90
	NPT 1"	(3.032)	(4.724)	(3.228)	(2.795)	(1.575)	(6.378)	NPT 1/8"	(1.752)	(0.906)	(1.752)	(0.906)	(4.882)	(1.98)
2	3/4"	77	114	75.5	64.5	36	120.5	G1/8"	43.5	23	46.5	26	-	0.66
	NPT 3/4"	(3.032)	(4.488)	(2.972)	(2.539)	(1.417)	(4.744)	NPT 1/8"	(1.713)	(0.906)	(1.831)	(1.024)	-	(1.46)
	G 1"	77	120	81.5	70.5	40	130.5	G1/8"	44.5	23	44.5	23	-	0.80
	NPT 1"	(3.032)	(4.724)	(3.209)	(2.776)	(1.575)	(5.138)	NPT 1/8"	(1.752)	(0.906)	(1.752)	(0.906)	-	(1.76)

TR000098ENUS-02\_08-21

**Dimensions: mm (inches)**

**Version with threaded pipe connection**

**Fig.3: Integral pilot operated**



**Fig.4: Remote pilot operated**

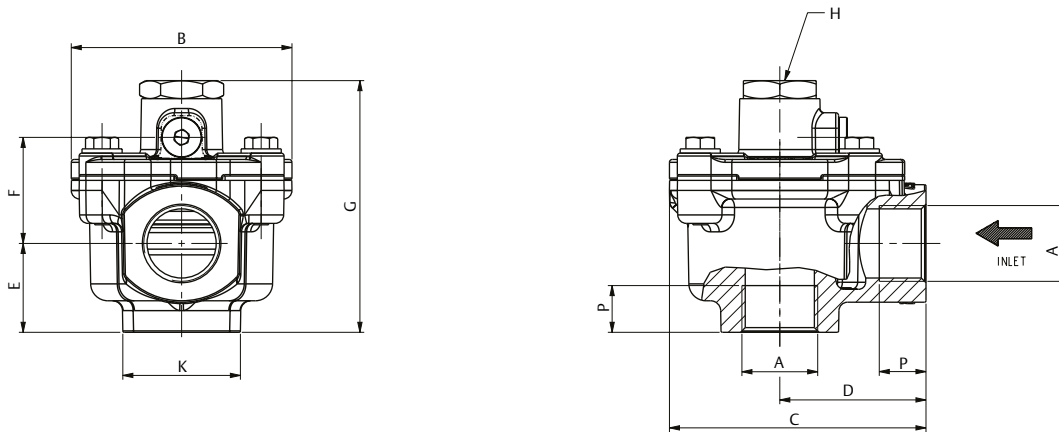


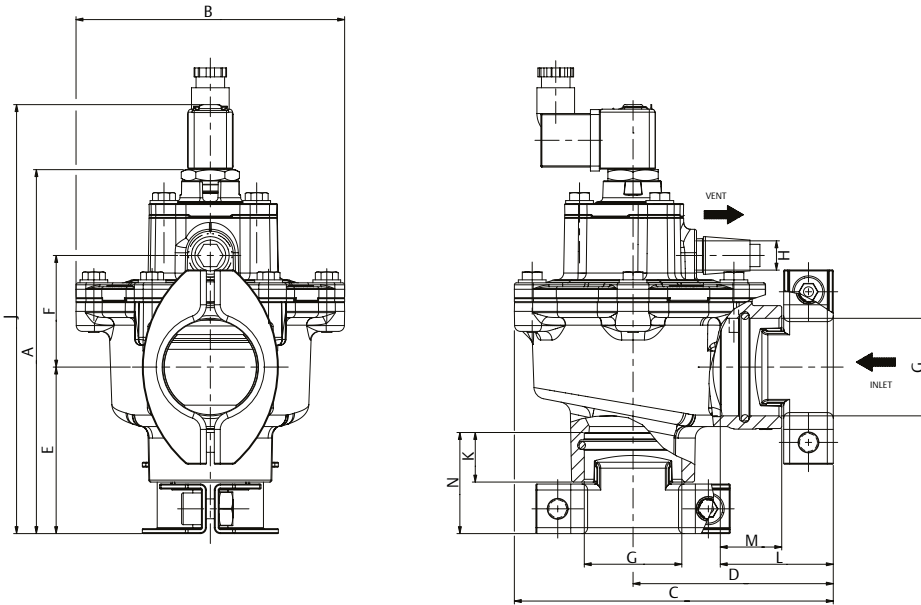
Fig.	A	B	C	D	E	F	G	H	K	N	P	Weight kg (lbs)
3	G 3/4"	77	90	51	31	37	81.5	G 1/8"	41	119	16	0.57
	NPT 3/4"	(3.032)	(3.543)	(2.008)	(1.221)	(1.457)	(3.209)	NPT 1/8"	(1.614)	(4.685)	(0.630)	(1.26)
4	G 1"	77	90	51	31	37	81.5	G 1/8"	41	119	16	0.53
	NPT 1"	(3.032)	(3.543)	(2.008)	(1.221)	(1.457)	(3.209)	NPT 1/8"	(1.614)	(4.685)	(0.630)	(1.17)
4	G 3/4"	77	89.5	51	31	37	88	G 1/8"	41	-	16	0.47
	NPT 3/4"	(3.032)	(3.524)	(2.008)	(1.221)	(1.457)	(3.465)	NPT 1/8"	(1.614)	-	(0.630)	(1.04)
4	G 1"	77	89.5	51	31	37	88	G 1/8"	41	-	16	0.44
	NPT 1"	(3.032)	(3.524)	(2.008)	(1.221)	(1.457)	(3.465)	NPT 1/8"	(1.614)	-	(0.630)	(0.97)

TR000098ENUS-02\_08-21

**Dimensions: mm (inches)**

**Version with Quick Mount Clamp connection**

**Fig.5: 1 1/2" Integral pilot operated**



**Fig.6: 1 1/2" Remote pilot operated**

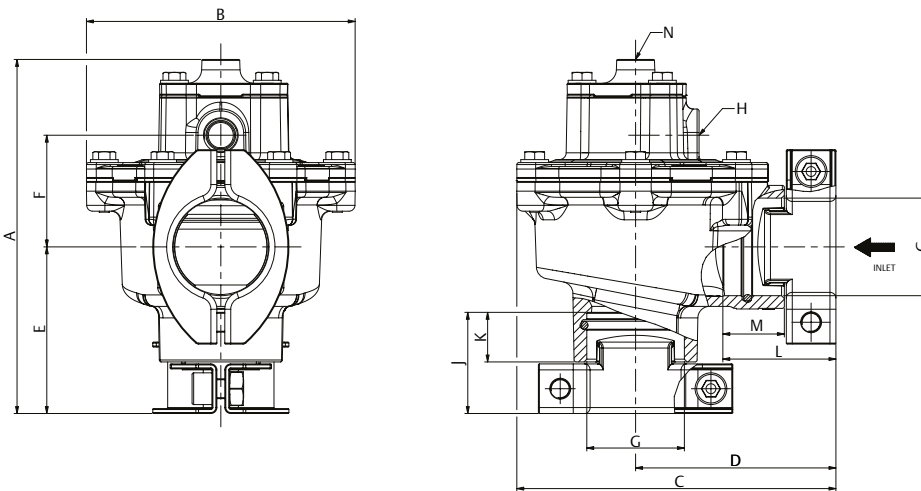


Fig.	A	B	C	D	E	F	G	H	J	K	L	M	N	Weight kg (lbs)
5	183.6 (7.228)	135.5 (5.335)	161 (6.339)	101 (3.976)	84 (3.307)	56.3 (2.217)	1 1/2"	G3/8"	216 (8.504)	25 (0.984)	57 (2.244)	31 (1.220)	51 (5.008)	1.78 (3.92)
6	178.5 (7.028)	135.5 (5.335)	161 (6.339)	101 (3.976)	84 (3.307)	56.5 (2.224)	1 1/2"	G3/8"	51 (2.008)	25 (0.984)	57 (5.244)	31 (1.220)	G 1/4"	1.68 (3.70)

TR000098ENUS-02\_08-21

Dimensions: mm (inches)

## Version with threaded pipe connection

Fig.7: 1 1/2" Integral pilot operated

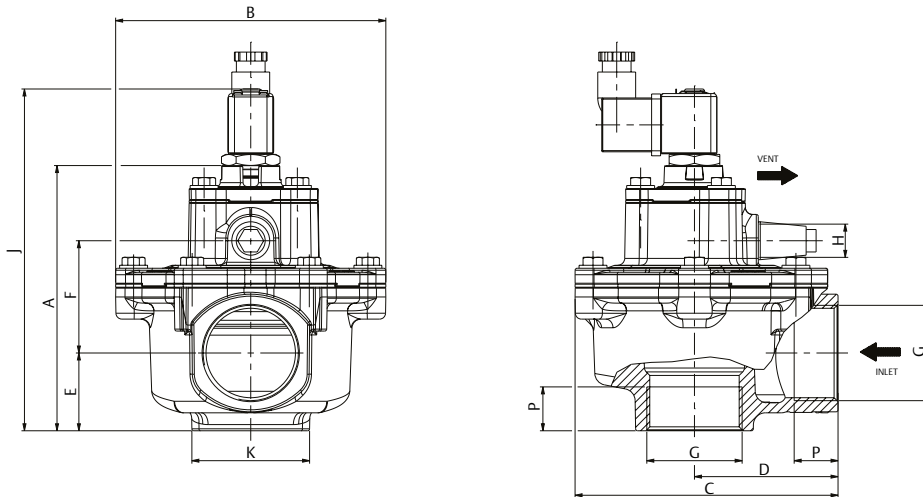


Fig.8: 1 1/2" Remote pilot operated

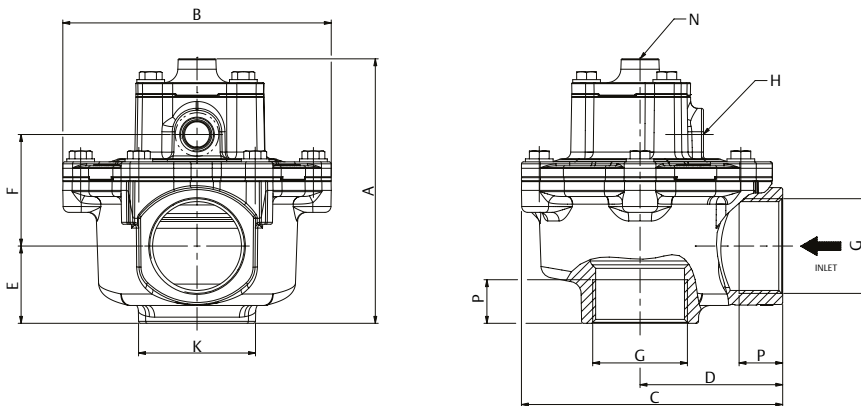


Fig.	A	B	C	D	E	F	G	H	J	K	N	P	Weight kg (lbs)
7	133 (5.236)	135.5 (5.335)	132 (5.197)	72 (2.835)	39 (1.535)	56.5 (2.224)	1 1/2"	G 3/8"	171 (6.732)	-	59 (2.323)	22 (0.867)	1.24 (2.73)
8	133.5 (5.256)	135.5 (5.335)	132 (5.197)	72 (2.835)	39 (1.535)	56.5 (2.224)	1 1/2"	G 3/8"	-	59 (2.323)	G 1/4"	22 (0.867)	1.14 (2.51)

**Special designs and accessories**

- ASCO Series E909 sequential controller to pilot valve Series 262 / 257.
- ASCO Series 110 / 125 pilot boxes containing 2 to 12 pilot solenoid valves
- The springless one-piece diaphragm pulse valves and the pilot valves can be equipped with explosion-proof solenoids in accordance with ATEX directives and national standards.
- Waterproof enclosure with embedded screw terminal coil according to CEE 10 (IP67)
- Further versions on request.

**Installation**

- The package consists of a pulse valve, solenoid (pre-assembled) and connector (supplied loose).
- The pulse valves can be mounted in any position without affecting operation.
- Threaded connections G (ISO 228/1), NPT, or patented Quick Mount Clamp connection.
- Installations with pipe lengths of more than 3 meters (9.8 feet) must be tested under operating conditions.
- Pipe diameters of 6 mm (0.24 inches) are recommended for all installations.
- In the patented Quick Mount Clamp connection tightness is achieved by the o-ring sealing on the pipes (3/4" = 26.4mm (1.0") to 27.4mm (1.1"); 1" = 33.2mm (1.3") to 34.2mm (1.4") and 1 1/2" = 47.8mm (1.88") to 48.8mm (1.92")) according to ISO 4200.
- Installation and maintenance instructions are included with each valve.
- Declarations of conformity are available on request.
- Version Ex e mb with prefix "EM / WSEM" Magnet housings have a cable gland with internal strain relief for cables with an outside diameter of 7 to 12 mm and the housing is equipped with an internal and external connection option for an earthing or equipotential bonding conductor.
- The Ex d enclosure with prefix "NF/WSNF" is equipped with a cable entry with 1/2" NPT thread - M20 x 1.5 (prefix "ET") is optionally available. The housings are supplied without cable gland.

**Remote Pilot**

- When connecting the piping to the G or NPT 1/8" connection in the valve bonnet, the external ASCO™ pilot valve must be mounted as close as possible to the main pulse valve. Piping lengths of up to 3 meters (9.8 feet) have only a minor influence on the pulse time.

**Explanations of temperatures**

Valve temperature range	The temperature range for the pulse valve is determined by selecting the diaphragm (TPE or TPE-LT).
Operator ambient temperature range	The ambient temperature range for the operator is determined by the selected power level and type of protection.
Total temperature range	The temperature range of the entire pulse valve is determined by the limits of the two temperature ranges listed above.
Medium temperature range	Temperature range with the TPE standard diaphragm is -20°C (-4°F) to 140°C (284°F). Temperature range with the TPE low-temp diaphragm is -40°C (-40°F) to 60°C (140°F)

**Rebuild Kits <sup>(1)</sup>**

Remote Pilot				
Pipe Size (in)	Base Catalog 353	Diaphragm Kit (1pc)	Diaphragm Kit (10 pcs)	Clamp Kit (1x)
<b>TPE Standard</b>				
3/4"	353K111	M200697	M200699	M200701
1"	353K211			M200702
1 1/2"	353K311	M200755	M200756	M200761
<b>TPE Low-Temp</b>				
3/4"	353K112	M200698	M200700	M200701
1"	353K212			M200702
1 1/2"	353K312	M200757	M200758	M200761

Integral Pilot					
Pipe Size (in)	Base Catalog 353	Spare Parts Kit	Diaphragm Kit (1pc)	Diaphragm Kit (10 pcs)	Clamp Kit (1x)
<b>TPE Standard</b>					
3/4"	353K111	M200695	M200697	M200699	M200701
1"	353K211				M200702
1 1/2"	353K311	M200759	M200755	M200756	M200761
<b>TPE Low-Temp</b>					
3/4"	353K112	M200696	M200698	M200700	M200701
1"	353K212				M200702
1 1/2"	353K312	M200760	M200757	M200758	M200761

(1) See installation and maintenance instruction for detailed information.

TR000098ENUS-02\_08-21



## Electrical characteristics

Coil insulation class **F**  
 Electrical safety **IEC 335**  
 Voltages **DC (=) 24 V, permissible voltage tolerance ± 10%**  
**AC (~) 24V / 50-60Hz, 120/60 - 110/50V/Hz, 230V / 50-60Hz (other voltages on request)**

Pilot operated (1)	Max. power		Operator ambient temperature	Safety code	Electrical enclosure protection (EN 60529)	Replacement coil / Spare parts kit				Type (3)
	AC	DC				~			=	
	~	=	°C (°F) (2)			24V/50-60 Hz	230V/50/60 Hz	120/60-110/50 Hz	24V/DC	
<b>Basic Power</b>										
S1, S0	6.3	22	-40 to +75 (-40 to +167)	EN 60730	IP65, moulded	400129-502	400129-528	400127-225	400127-642	01
SG	6.3	22	-10 to +60 (-14 to +140)	II3 GD Exec IIC T6-T4 Gc, Extc IIIC T110°C Dc	IP65X, moulded	M2004090SGA00FQ	M2004090SGA00FH	M2004090SGA00FO	M2004090SGA00F1	02
WP/WS	10.5	19.7	-40 to +75 (-40 to +167)	EN 60730	IP67, Steel/Stainl.St.	400909-101	400909-117	400909-118	400405-342	03
NF/WSNF	16.7	19.7	-60 to +40/60 (-76 to +104/140)	II2GD Ex db IIC Gb T4 Extc IIIC T135°C Db	IP66/67, Alu./Stainl.St.	400405-201	400405-217	400405-225	400405-342	04
EM/WSEM	10.5	16.8	-40 to +40 (-40 to +104)	II2GD Ex emb IIC Gb T3 Extc IIIC T200°C Db	IP66/67, Steel/Stainl.St.	400909-101	400909-117	400909-118	400911-142	03
PV	6.3	22	-40 to +40/65 (-40 to +104/149)	II2GD Ex mb IIC Gb T4 Extc IIIC T135°C Db	IP65, moulded	-	-	-	-	05
EF/EV	10.1	11.6	-60 to +40/52 (-76 to +104/125)	NEMA Type 7 and 9	NEMA 4x	On request	On request	On request	On request	06

(1) Electrical interface as described in the order code. Other versions are available on request.

(2) Temperature range can be limited by sealings.

(3) Refer to the dimensional drawings below.

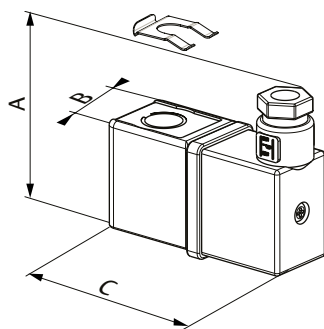
## Electrical Connections

Electrical Interface	Connection
SG, S1	Cable gland connector EN175301-803A (ISO 4400) for cables with an O.D. from 6 to 10 mm (0.24 to 0.39 inches).
WP, WS, EM, WSEM	M20-Synthetics cable gland for cables with an O.D. from 7 to 12 mm.
NF, WSNF	Threaded conduit 1/2" NPT supplied without cable gland.
NFET, WSNFET	Cable entry with thread M20 x 1.5 are supplied without calbe gland
PV	Epoxy Coil with integrated cable, 2m (6'5") long (other lengths on request)
EF, EV	Epoxy Coil with integrated 1/2" NPT conduit and 35cm (13.8") long

**Dimensions: mm (inch)**



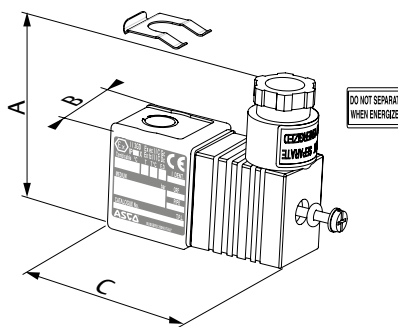
**Type 01**  
“S1”, “S0” Solenoid  
with spade plug connector size 22 - 11mm (0.43 inches)  
EN 175301-803 Industry standard form B / IP65



A	B	C	Weight kg (lbs)
49 (1.929)	22 (0.866)	61 (2.401)	0.08 (0.18)



**Type 02**  
“SG” Solenoid  
with spade plug connector size 22- 11mm (0.43 inches)  
EN 175301-803 Industry standard form B / IP65  
II 3G Ex ec IIC T4 Gc, II 3D Ex tc IIIC T110°C Dc IP65X

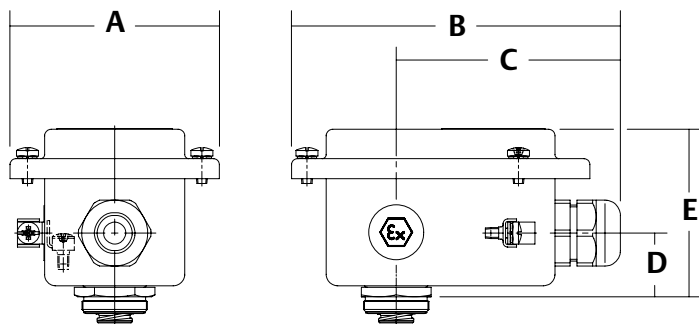


A	B	C	Weight kg (lbs)
49 (1.929)	22 (0.866)	61 (2.401)	0.08 (0.18)

**Dimensions: mm (inch)**



**Type 03<sup>(1)</sup>**  
Prefix “EM”, “WSEM” solenoids / Electrical interface MV/MW/MT/MS/MN/MU  
Pull-type solenoid operator  
Metal enclosure, epoxy coated or stainless steel  
EN-IEC 60079-7, EN-IEC 60079-18 and EN-IEC 60079-31  
II 2G Ex e mb IIC Gb, II 2D Ex tb IIIC Db IP66/67



series/size	A	B	C	D	E	weight kg (lbs)
EM/WSEM-MXX	77 (0.031)	120 (4.724)	82 (3.228)	23 (0.906)	62 (2.441)	0.55 (1.21)

(1) Prefix “WP”, “WS” solenoids / Electrical interface X8/X9 Pull-type solenoid operator Metal enclosure, epoxy coated or stainless steel IP66/67

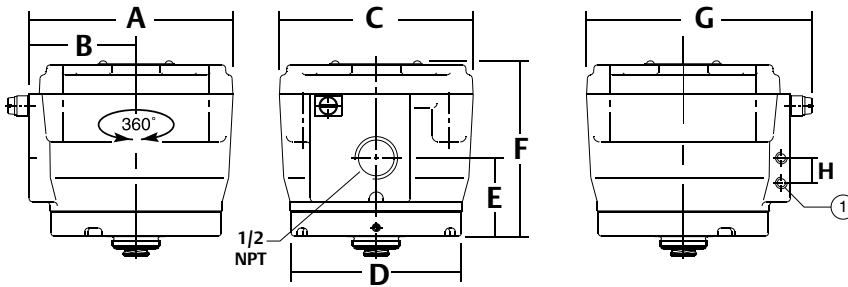
TR000098ENUS-02\_08-21

## Dimensions: mm (inch)

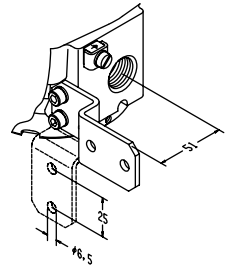


### Type 04

Prefix "NF", "WSNF" Solenoid / Electrical interface FN/FS/FT/FU  
Aluminium, stainless steel  
(NF, epoxy coated)  
EN-IEC 60079-1 and EN-IEC 60079-31  
II 2G Ex d IIC T6..T4 Gb, II 2D Ex tb IIIC 85°C..135°C Db IP66/67



### Mounting Bracket



Bracket kit no. **C139824**  
contains: Stainless steel 304 SS  
screws and bracket

① 2 mounting holes M5,  
depth 9 mm

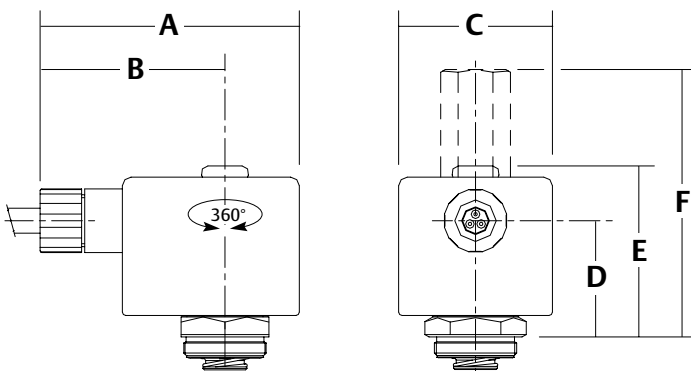
size	A	B	C	D	E	F	G	H	weight (1)
NF	102 (4.016)	54 (2.126)	97 (3.818)	86 (3.386)	39 (1.535)	89 (3.504)	115 (4.528)	15 (0.591)	1.4 (3.1)
WSNF	102 (4.016)	54 (2.126)	97 (3.818)	86 (3.386)	39 (1.535)	89 (3.504)	115 (4.528)	15 (0.591)	2.7 (5.9)

## Dimensions: mm (inch)



### Type 05

Prefix "PV" solenoids / Electrical interface A7  
Epoxy coated  
EN-IEC 60079-18  
II 2G Ex mb IIC Gb - II 2D Ex mb IIIC Db IP67

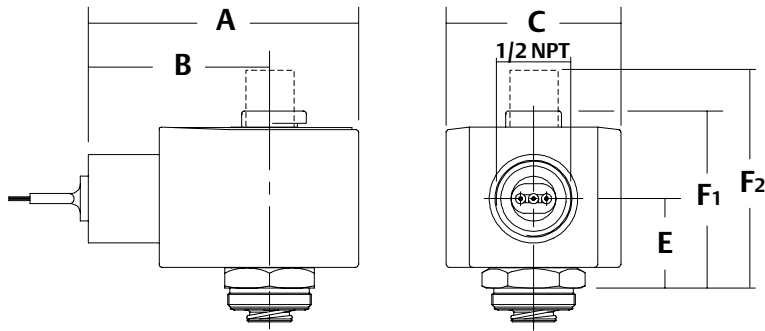


size	A	B	C	D	E	F	weight (1)
EM5	60 (2.362)	45 (1.772)	29 (1.142)	21 (0.827)	38.5 (1.516)	66 (2.598)	0.113 (0.249)

**Dimensions: mm (inch)**



**Type 06**  
 “EF”, “EV” Solenoid  
 Epoxy encapsulated  
 NEMA type 7, 9 / ICS-6 ANSI



A	B	C	Weight kg (lbs)
49 (1.929)	22 (0.866)	61 (2.401)	0,08 (0.18)