

Spare parts list

AVENTICS GmbH
 Ulmer Str. 4
 30880 Laatzen
 spareparts.aventics@emerson.com

Material number: R412006196

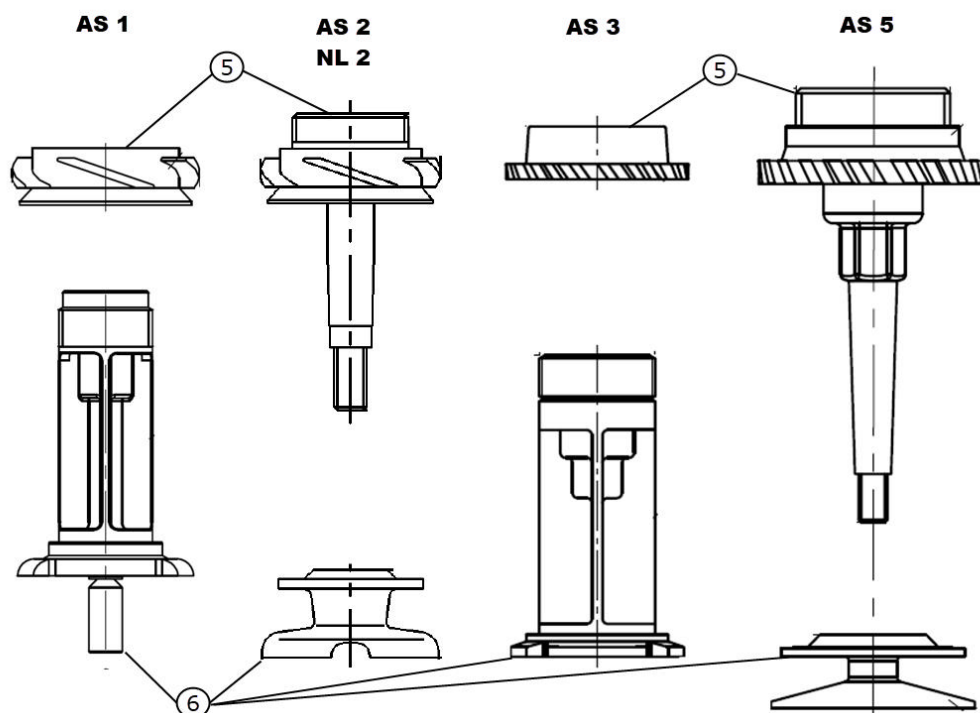
Drawing:

Designation: AS2-FRE-G014-GAU-100-PBP-HO-05.00

Date: 12.05.2023

Page: 1

Pos.	Material number	Designation	Short text
	1827009351	DRAIN VALVE	NL1-6 AS2-AS5 NO HA
	1827009612	FILTER HOLDER	NL2, AS2
	1829207061	FILTER ELEMENT	NL1,2 AS1,2 - 5 µm
	R412006338	CONDENSATE CONTAINER	AS2-CLS-X000-PBP-HO
	R412006362	FRONT PANEL	AS2-X000
	R413000236	DRAIN VALVE	NL1-6 AS2-AS5 NO HA PU10
	R961400030	SERVICE-PARTS SET	AS2-FRG-REG
	R961400037	COMPRESSION SPRING	0 - 10 BAR AS2



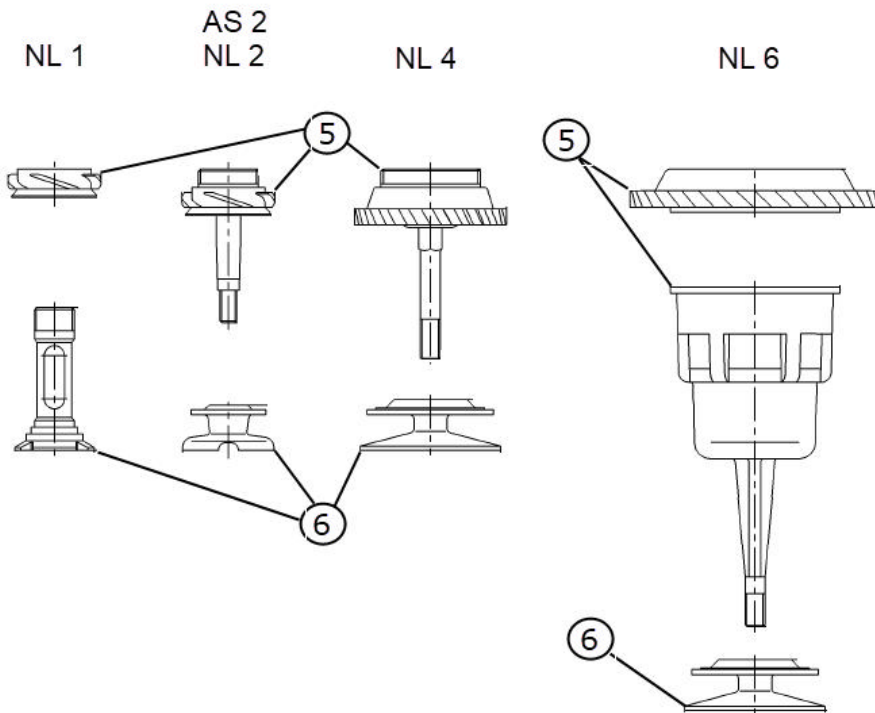
Spare parts list

Material number: 1827009612
 Drawing: AS_Filterhalter
 Designation: NL2, AS2

AVENTICS GmbH
 Ulmer Str. 4
 30880 Laatzen
 spareparts.aventics@emerson.com

Date: 12.05.2023

Page: 2



Pos.	Designation	Short text	Quantity
5	SUPPORT		1 Stk.
6	SUPPORT		1 Stk.

Spare parts list

Material number: 1827009612
Drawing: AS_Filterhalter
Designation: NL2, AS2

AVENTICS GmbH
Ulmer Str. 4
30880 Laatzen
spareparts.aventics@emerson.com

Date: 12.05.2023

Page: 3

Security notice:

All service and repair work shall be executed by AVENTICS GmbH or specially trained personnel. AVENTICS GmbH does not cover defects caused by incorrect installation, faulty maintenance or repair from the buyer's side or third parties. The data specified above only serve to describe the product. No statements concerning a certain condition or suitability for a certain application can be derived from our information. The given information does not release the user from the obligation of own judgement and verification. It must be remembered that our products are subject to a natural process of wear and aging.