

Spare parts list

AVENTICS GmbH
 Ulmer Str. 4
 30880 Laatzen
 spareparts.aventics@emerson.com

Material number: R412007209

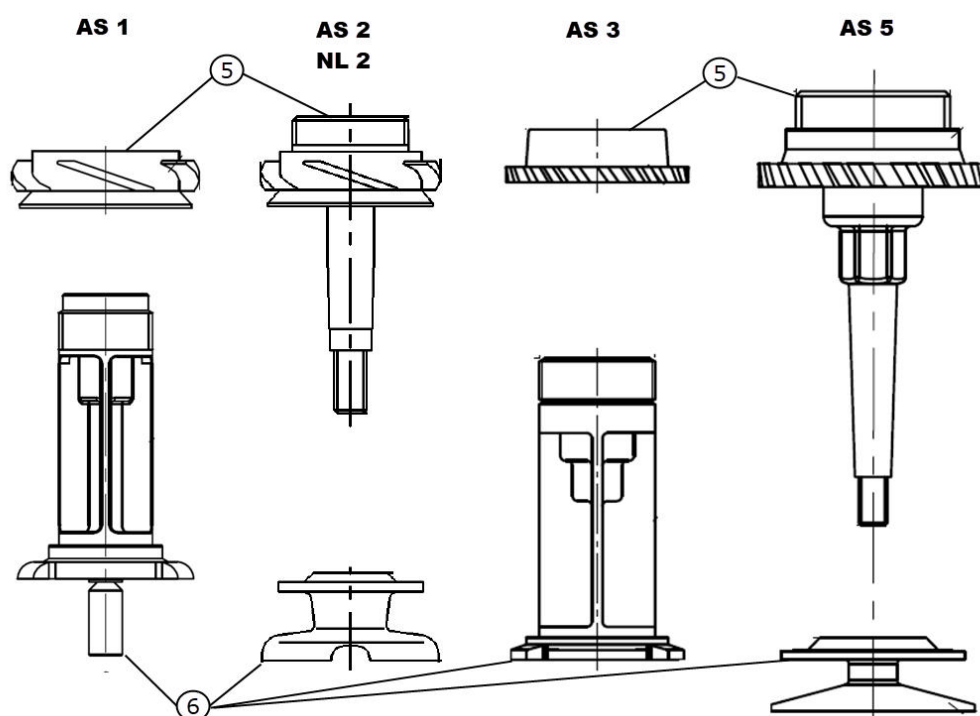
Drawing:

Designation: AS3-FRE-G012-GAU-080-PBP-HO-05.00

Date: 01.12.2022

Page: 1

Pos.	Material number	Designation	Short text	Material
	1827009351	DRAIN VALVE	NL1-6 AS2-AS5 NO HA	
	1829207068	FILTER ELEMENT	NL3, AS3 5µM	
	R412007338	CONTAINER	AS3-CLS-X000-PBP-HO	
	R413000236	DRAIN VALVE	NL1-6 AS2-AS5 NO HA	
	R961400139	FILTER HOLDER	AS3 FIL,FRG	
	R961400144	SERVICE-PARTS SET	AS3 FRG,REG,RBE	
	R961400149	COMPRESSION SPRING	AS3 0-8 BAR	
	R961403387	O-RING	23X2	NBR
	R961403390	O-RING	23,2X1,78	NBR



Spare parts list

AVENTICS GmbH
Ulmer Str. 4
30880 Laatzen
spareparts.aventics@emerson.com

Material number: R961400139
Drawing: AS_Filterhalter
Designation: AS3 FIL,FRG

Date: 01.12.2022
Page: 2

Pos.	Designation	Short text	Quantity
5	SUPPORT		1 Stk.
6	SUPPORT		1 Stk.

Security notice:

All service and repair work shall be executed by AVENTICS GmbH or specially trained personnel. AVENTICS GmbH does not cover defects caused by incorrect installation, faulty maintenance or repair from the buyer's side or third parties.
The data specified above only serve to describe the product. No statements concerning a certain condition or suitability for a certain application can be derived from our information. The given information does not release the user from the obligation of own judgement and verification. It must be remembered that our products are subject to a natural process of wear and aging.