

Spare parts list

Material number: R412009004

Drawing:

Designation: AS5-FLS-G034-PBP-AO-40,00

AVENTICS GmbH

Ulmer Str. 4

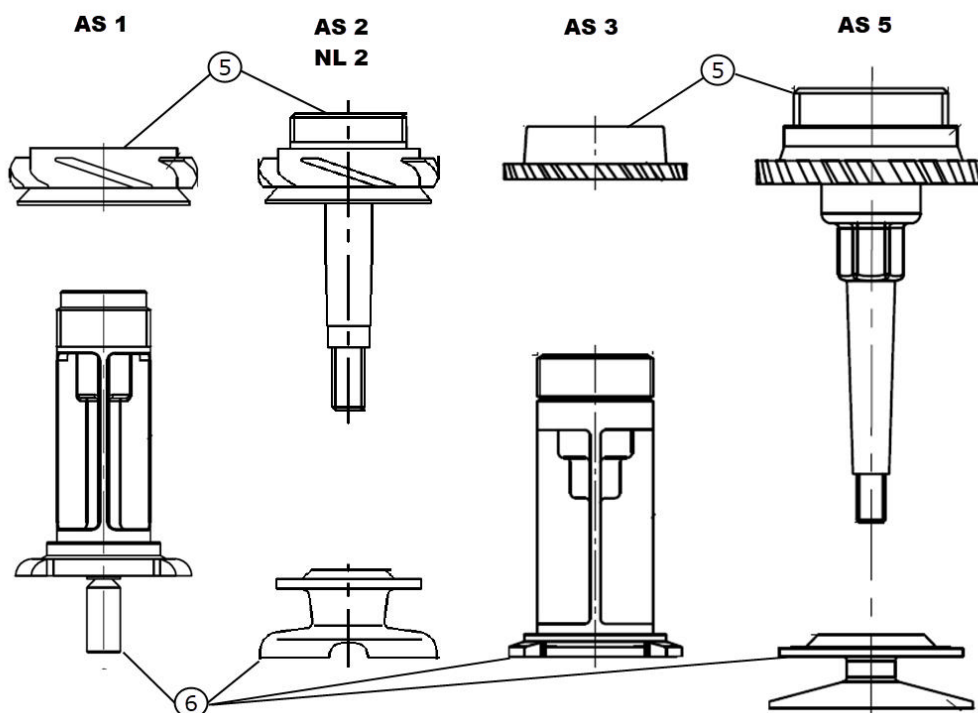
30880 Laatzen

spareparts.aventics@emerson.com

Date: 01.12.2022

Page: 1

Pos.	Material number	Designation	Short text
	1827009352	DRAIN VALVE	NL1-6 AS2-5 NO VA
	R412009339	CONDENSATE CONTAINER	AS5-CLS-X000-PBP-AO
	R412009361	FRONT PANEL	AS5-X000
	R961403329	FILTER HOLDER	AS5
	R961403332	FILTER ELEMENT	AS5 40µM



Spare parts list

AVENTICS GmbH
Ulmer Str. 4
30880 Laatzen
spareparts.aventics@emerson.com

Material number: R961403329
Drawing: AS_Filterhalter
Designation: AS5

Date: 01.12.2022
Page: 2

Pos.	Designation	Short text	Quantity
5	SUPPORT		1 Stk.
6	SUPPORT		1 Stk.

Security notice:

All service and repair work shall be executed by AVENTICS GmbH or specially trained personnel. AVENTICS GmbH does not cover defects caused by incorrect installation, faulty maintenance or repair from the buyer's side or third parties.
The data specified above only serve to describe the product. No statements concerning a certain condition or suitability for a certain application can be derived from our information. The given information does not release the user from the obligation of own judgement and verification. It must be remembered that our products are subject to a natural process of wear and aging.