

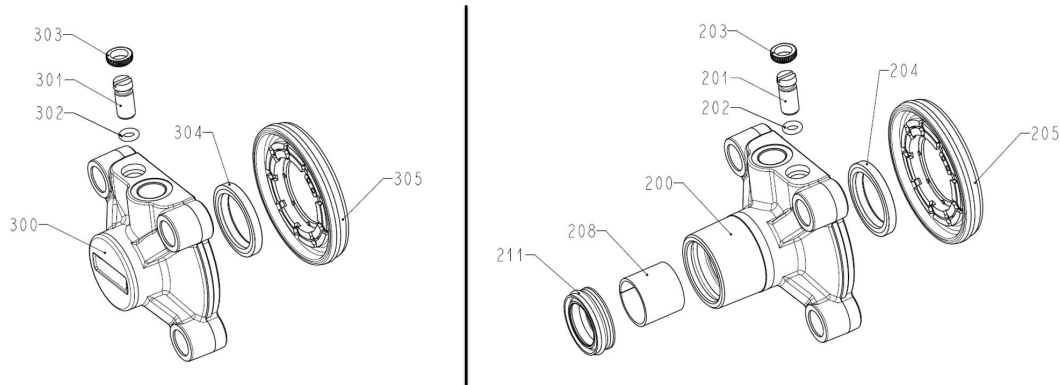
Spare parts list

Material number: R413000901
 Drawing: PRA_TRB_ST_32-125
 Designation: PRA/TRB-063-ST

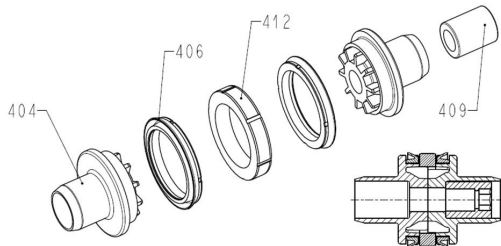
AVENTICS GmbH
 Ulmer Str. 4
 30880 Laatzen
 spareparts.aventics@emerson.com

Date: 24.07.2023

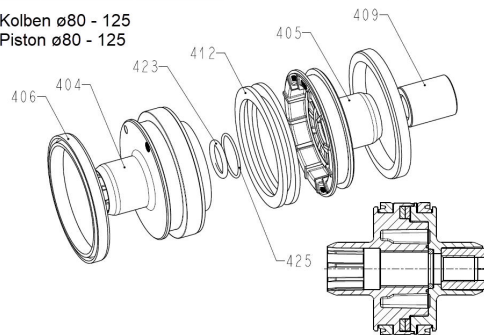
Page: 1



Kolben ø32 - 63
 Piston ø32 - 63



Kolben ø80 - 125
 Piston ø80 - 125



Pos.	Designation	Short text	Quantity	Material
204	DAMPING RING	50/63	2 Stk.	TPU
205	INSERT	063	2 Stk.	NBR
208	BUSHING	ISO3547-20X23X15	2 Stk.	METALL
211	ROD SEAL	20X30X10,7	2 Stk.	PUR
406	PISTON SEAL	63X53X7,0	2 Stk.	PUR
	LUBRICATING GREASE	AGS-20G	1 Stk.	

Spare parts list

Material number: R413000901
Drawing: PRA_TRB_ST_32-125
Designation: PRA/TRB-063-ST

AVENTICS GmbH
Ulmer Str. 4
30880 Laatzen
spareparts.aventics@emerson.com

Date: 24.07.2023

Page: 2

Security notice:

All service and repair work shall be executed by AVENTICS GmbH or specially trained personnel. AVENTICS GmbH does not cover defects caused by incorrect installation, faulty maintenance or repair from the buyer's side or third parties. The data specified above only serve to describe the product. No statements concerning a certain condition or suitability for a certain application can be derived from our information. The given information does not release the user from the obligation of own judgement and verification. It must be remembered that our products are subject to a natural process of wear and aging.