

Configuration documentation

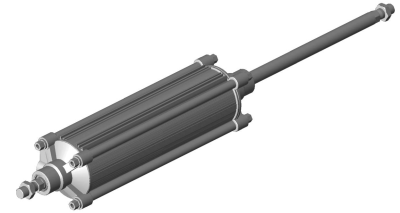
Pneumatic cylinder



Type code PRA-DA-100-0320-0322311100000000000033-B
Material number R480666387

Description

Series	PRA	Profile cylinder - series PRA
Piston diameter	100	Piston diameter 100
Stroke	0320	Stroke in mm
Threads	0	ISO Threads
Tube	3	Advanced Profile: sensors on 4 sides
Cushioning	2	Pneumatic cushioning
Piston	2	Piston with magnet
Piston rod	3	Through
Sealings	1	Standard
Scraper	1	Scraper - standard
Corrosion protection	1	Standard
Piston rod extension	000	Without piston rod extension
ATEX	000	Without ATEX
Trunnion mounting	0	Without trunnion mounting
Position trunnion mounting	0000	
End covers	0	End covers without surface treatment
Port position		
Port position front	3	270° (9h)
Port position rear	3	270° (9h)
Accessories		
Piston rod mountings	000	No mounting
Mounting at front cover	000	No mounting at front cover
Mounting orientation front	00	Without mounting
Mounting at rear cover	000	No mounting at rear cover
Mounting orientation rear	00	Without mounting
Counter bearing	000	No counter bearing
Guide units	000	No guiding unit, no locking element
Sensor type	000	Without Sensor
Sensor position	00	Without sensor position
Fittings front	000	Front cover - without fitting
Fittings rear	000	Rear cover - without fitting



Note:

A specific part number is required for ordering and clearly identifying the configured product. If the part number is not shown under the type code, please save your configuration under "Save project".

Technical data

Operating temperature **-20°C to 80°C**

Configuration documentation
Pneumatic cylinder



Type code PRA-DA-100-0320-0322311100000000000033-B
Material number R480666387

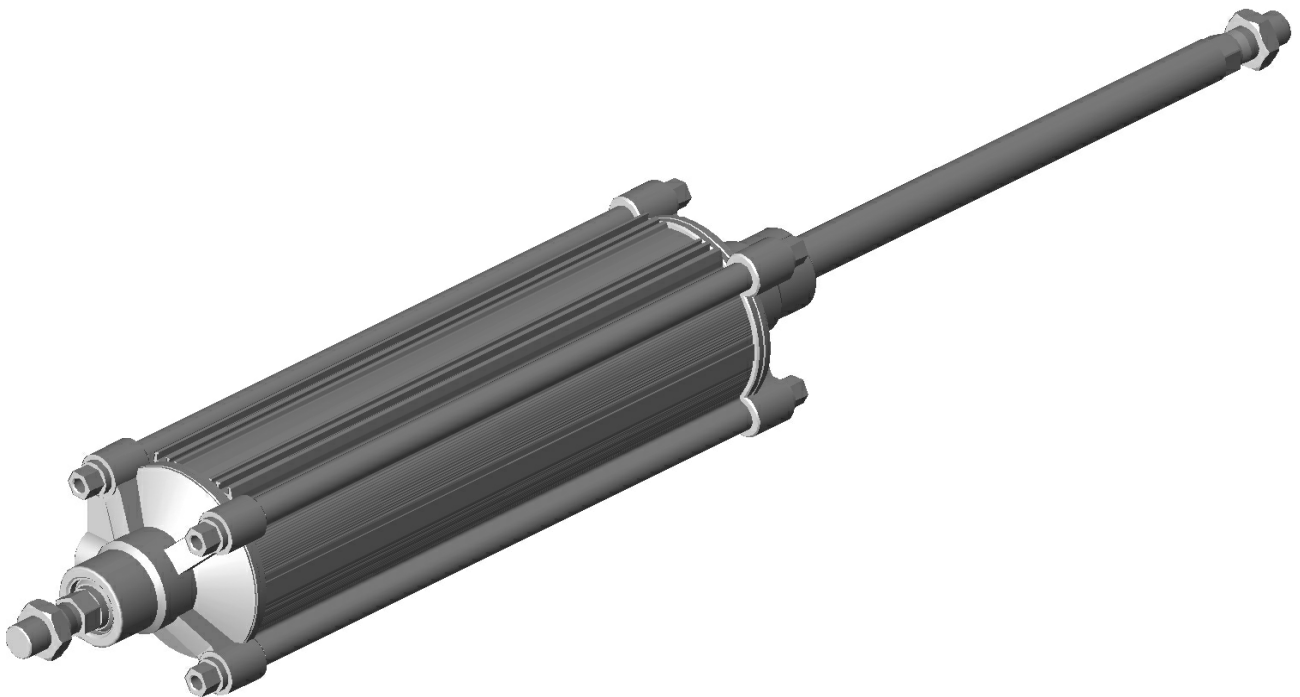
Spare parts

Tube	R480962412	TUBE PRA-100-0320-0-1-1
Spare part kit - standard (for cylinder since 2014)	R413000903	SPARE PART KIT PRA/TRB-100-ST

Configuration documentation
Pneumatic cylinder

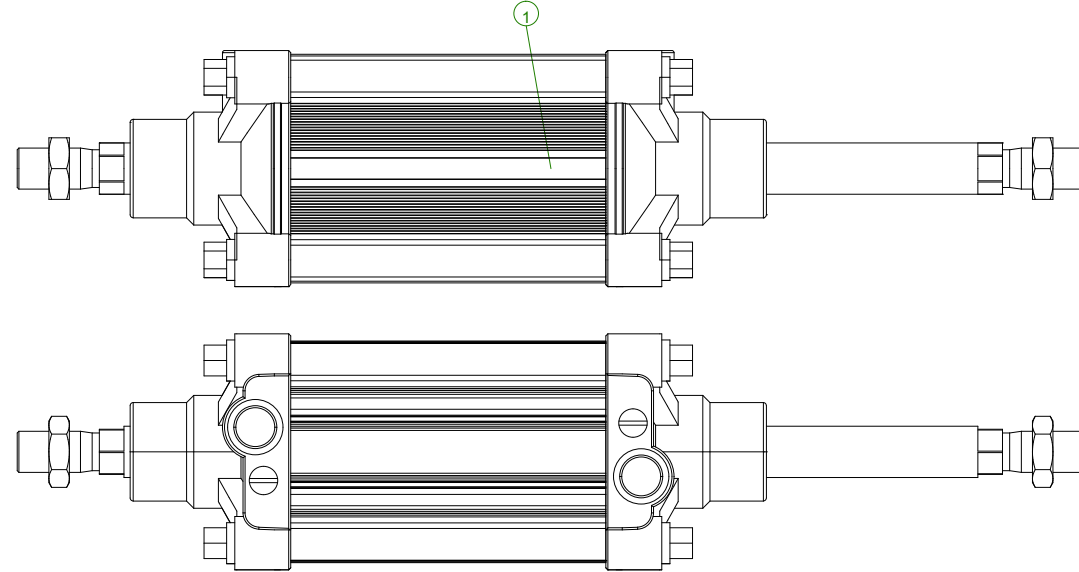


Type code PRA-DA-100-0320-0322311100000000000033-B
Material number R480666387



Please click on the image to activate the 3D model.
We are not liable for this 3D model since it has been generated automatically.

Pos.	Quantity	Material number	Designation	Type code
1	1	R480666387	Base cylinder	PRA-DA-100-0320-032231110000000000000000-B

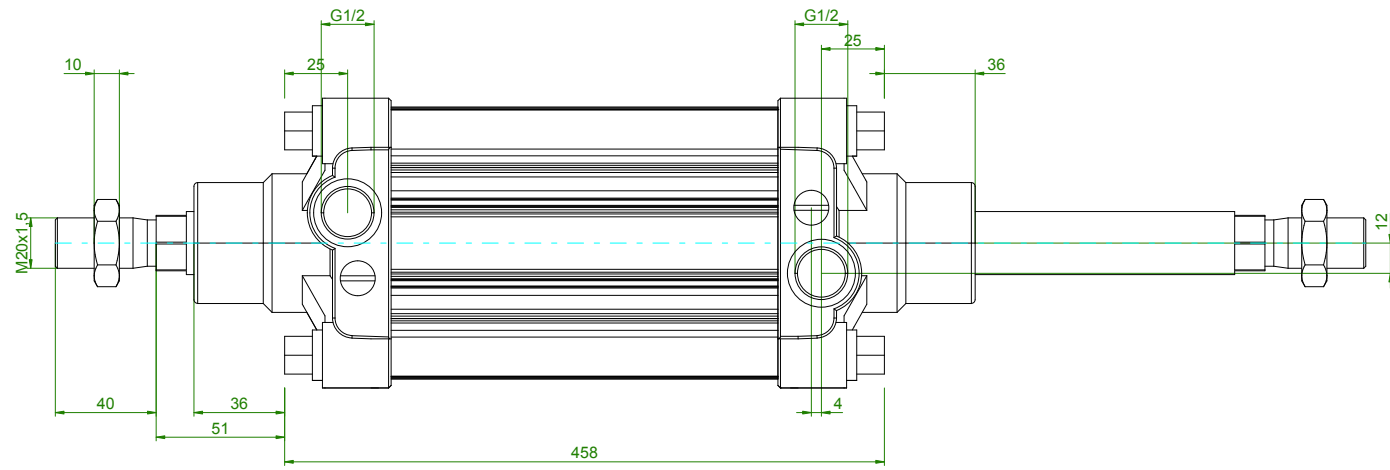
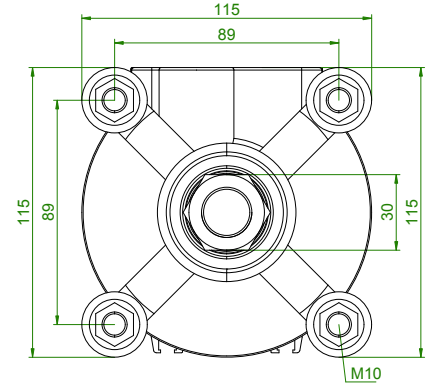
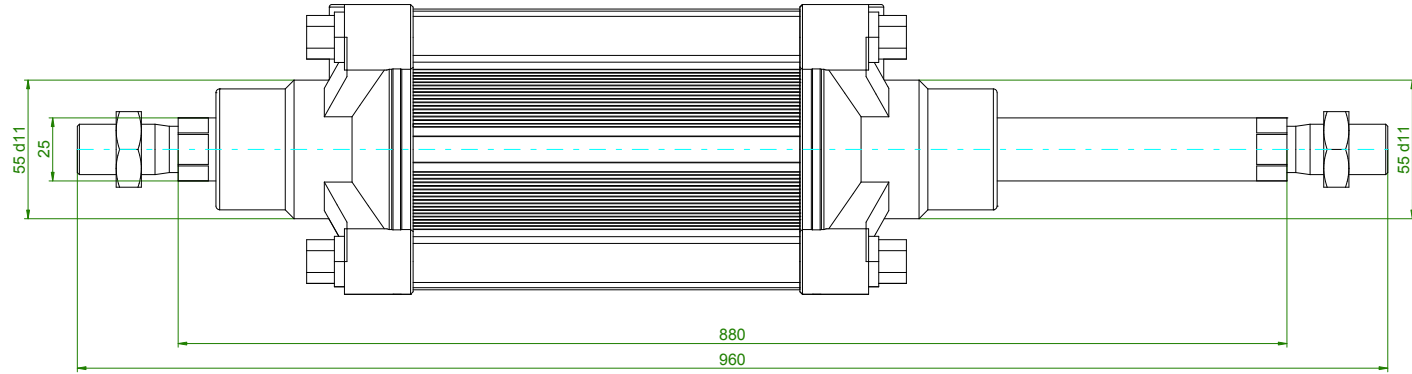


Note:
 Visualization of the air supply in standard position (top).
 Stroke length not to scale.
 For this drawing non-warranty exists, because it is build automatically.

AA	No changes	2016-10-26	Cylinder			-	-			
Ind.	Change/Amend.	Datum / Date	Drawn/Gez.	Checked/Gepr.	Released/Freig.	BWN	Resp. dept/Verantw. Abt.	Add info / Zus. Info		
LangSpr.	Syst.	Weight/Gew.	PRA-DA-100-0320-032231110000000000000000-B							Sheet/Bl.
EN		kg								1 / 1
		Scale/M.stab			Doc. type	R480666387 - ZUZ		P0/TD	Ind.	Format
		---	OFFER DRAWING		MTA			001	AA	A3
					Repl. for				Repl. by	

© Alle Rechte bei AVENTICS S.p.A., auch für den Fall von Schutzrechtsanmeldungen. Jede Weitergabe, wie Kopier- und Weitergaberecht, ist untersagt.

This Document, as well as the data, specifications and other informations set forth in it, are the exclusive property of AVENTICS S.p.A. Without their consent it may not be reproduced or given to third parties.



Note:
 Visualization of the air supply in standard position (top).
 Stroke length not to scale.
 For this drawing non-warranty exists, because it is build automatically.
 Dimensions not shown, see technical documentation
 Dimensions in mm

AA	No changes	2016-10-26	Cylinder							
Ind.	Change/Änd.	Datum / Date	Drawn/Gez.	Checked/Gepr.	Released/Freig.	BWN	Resp. dept/Verantw. Abt.	Add info / Zus. Info		
LangSpr.	Syst.	Weight/Gew.	PRA-DA-100-0320-032231110000000000000000-B							Sheet/Bl.
EN		kg								1 / 1
		Scale/M.stab	AVENTICS		Doc. type	R480666387 - AGZ			PD/TD	
		---	OFFER DRAWING		MCC				001	
			ANGEBOTS-ZEICHN.		Repl. for				Repl. by	